

Characteristics:

Controllable Flow Rate

Specifications:

Dimensions	: 28.0 X 62.0 X 28.0 mm
Input Voltage	: 24.0 V DC
Rated Flow Rate 1	: 420 ml/min @ 0.80 bar
Rated Flow Rate 2	: 320 ml/min @ 1.20 bar
Max Flow Rate	: 560.00 ml/min @ 0.15 bar
Max Pressure	: 3.00 bar
Fluid Temperature Range	: 5 to 55 °C
Fluid Type	: water, detergent, high viscosity fluids
Maximum Efficiency	: 32 %
Maximum Efficiency of Motor	: 42 %
Flow Rate at Maximum Efficiency	: 320 ml/min
Noise Level	: 70 dBA
Noise Level Condition	: Noise probe located at 0.1m from pump body
Other Feature	: Self Prime Height: 20cm under flow rate of 560ml/min; Inlet & Outlet OD: 4.5mm ; Speed adjustable ; Reversible flow
Life (typical)	: 200 hr
Life Test Condition	: 15s ON / 15s OFF, cold water at 20°C @ 1.0bar
Weight	: 75 g
Operation Temperature	: 2 to 50 °C
Storage Temperature	: -20 to 85 °C
Electrical Connection	: Connector Housing Terminal
Certification	: Option for FDA certification



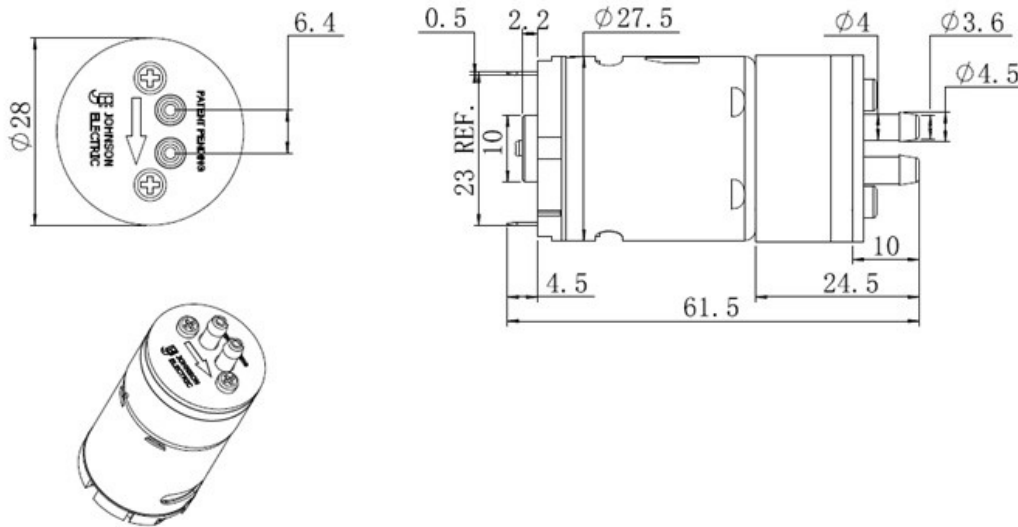
Performance Data:

	Valve Fully Open	Typical Working Point	Max Efficiency	Valve Closed
Water Flow Rate (ml/min)	560	420	320	-
Input Power to Motor (W)	6.50	7.50	8.50	-
Efficiency (% , Pump)	-	-	32	-
Efficiency (% , Motor)	-	-	42	-
Water Pressure (bar)	0.15	0.80	1.20	3.00

Application Examples:

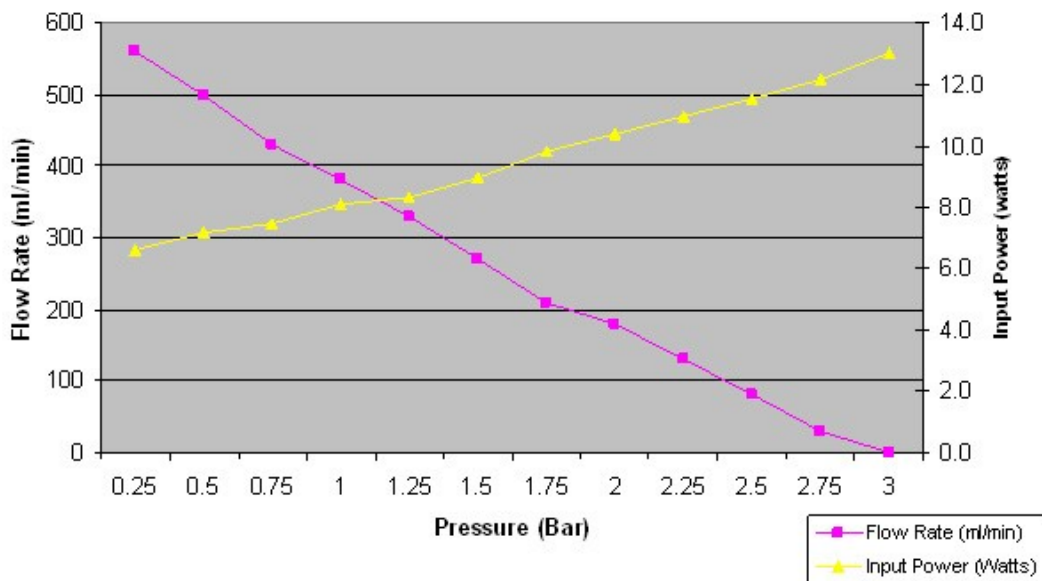
Beverage Machines, Beverage Dispensing, Coffee Machines, Pumps, Detergent Dosing, Sprayers

Drawing:



Performance Curves:

Performance Curve of JE GP300 Gear Pump



Units in Metric

ERMEC
www.ermec.com
ERMEC, S.L. BARCELONA
C/ Francesc Teixidó, 22
08918 Badalona
(España)

Tel.: (+34) 902 450 160
Fax: (+34) 902 433 088
info@ermec.com
www.ermec.com

ERMEC, S.L. MADRID
c/Mejorada, 17, 1ª Pla. Of. D4
28850 Torrejón de Ardoz
(España)

PORTUGAL
portugal@ermec.com
BILBAO
bilbao@ermec.com

Characteristics:

High and Controllable Flow Rate

Specifications:

Dimensions	: 46.0 X 82.4 X 65.4 mm
Input Voltage	: 24.0 V DC
Rated Flow Rate 1	: 1800 ml/min @ 1.00 bar
Max Flow Rate	: 2000.00 ml/min @ 0.30 bar
Max Pressure	: 6.00 bar
Fluid Temperature Range	: 5 to 55 °C
Fluid Type	: water, detergent, high viscosity fluids
Maximum Efficiency	: 33 %
Maximum Efficiency of Motor	: 68 %
Flow Rate at Maximum Efficiency	: 1500 ml/min
Noise Level	: 70 dBA
Noise Level Condition	: Noise probe located at 0.1m from pump body
Other Feature	: Self Prime Height: 50cm under flow rate of 2000ml/min; Inlet & Outlet OD: 7.0mm ; Speed adjustable ; Reversible flow
Life (typical)	: 200 hr
Life Test Condition	: 15s ON / 15s OFF, cold water at 20°C @ 2.0bar
Weight	: 267 g
Operation Temperature	: 2 to 50 °C
Storage Temperature	: -20 to 85 °C
Electrical Connection	: Connector Housing Terminal
Certification	: Option for FDA certification

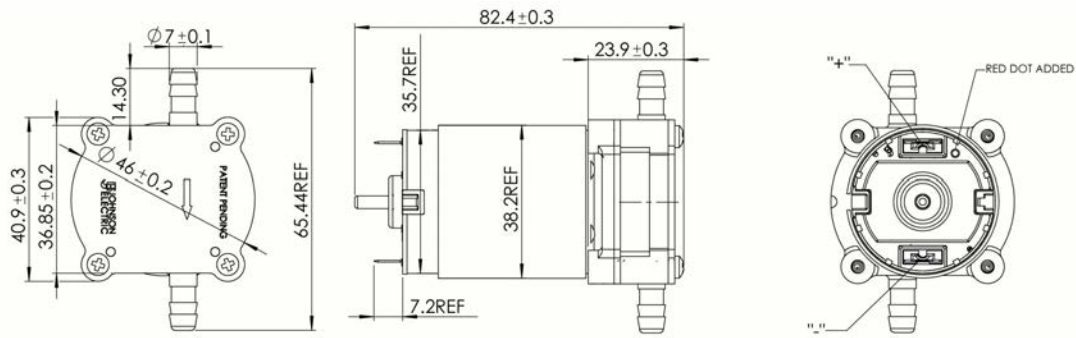
**Performance Data:**

	Valve Fully Open	Typical Working Point	Max Efficiency	Valve Closed
Water Flow Rate (ml/min)	2000	1800	1500	-
Input Power to Motor (W)	20.00	23.00	28.00	-
Efficiency (% , Pump)	-	-	33	-
Efficiency (% , Motor)	-	-	68	-
Water Pressure (bar)	0.30	1.00	2.00	6.00

Application Examples:

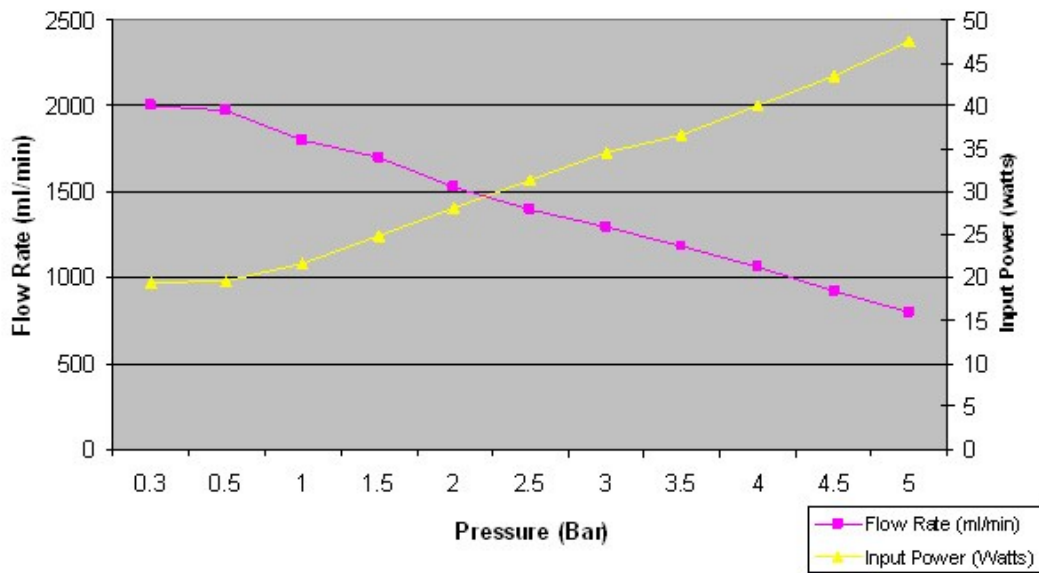
Beverage Dispensing, Beverage Machines, Coffee Machines, Pumps, Detergent Dosing, Sprayers

Drawing:



Performance Curves:

Performance Curve of JE GP600 Gear Pump



Units in Metric

Characteristics:

Tested and Certified by NSF international, High and Controllable Flow Rate

Specifications:

Dimensions	: 46.0 X 82.4 X 65.4 mm
Input Voltage	: 24.0 V DC
Rated Flow Rate 1	: 1800 ml/min @ 1.00 bar
Max Flow Rate	: 2000.00 ml/min @ 0.30 bar
Max Pressure	: 6.00 bar
Fluid Temperature Range	: 5 to 95 °C
Fluid Type	: water, coffee, detergent, high viscosity fluids
Maximum Efficiency	: 33 %
Maximum Efficiency of Motor	: 68 %
Flow Rate at Maximum Efficiency	: 1500 ml/min
Noise Level	: 70 dBA
Noise Level Condition	: Noise probe located at 0.1m from pump body
Other Feature	: Self Prime Height: 50cm under flow rate of 2000ml/min; Inlet & Outlet OD: 7.0mm ; Speed adjustable ; Reversible flow
Life (typical)	: 200 hr
Life Test Condition	: 15s ON / 15s OFF, cold water at 20°C @ 2.0bar
Weight	: 276 g
Operation Temperature	: 2 to 50 °C
Storage Temperature	: -20 to 85 °C
Electrical Connection	: Connector Housing Terminal
Certification	: Tested and Certified by NSF international

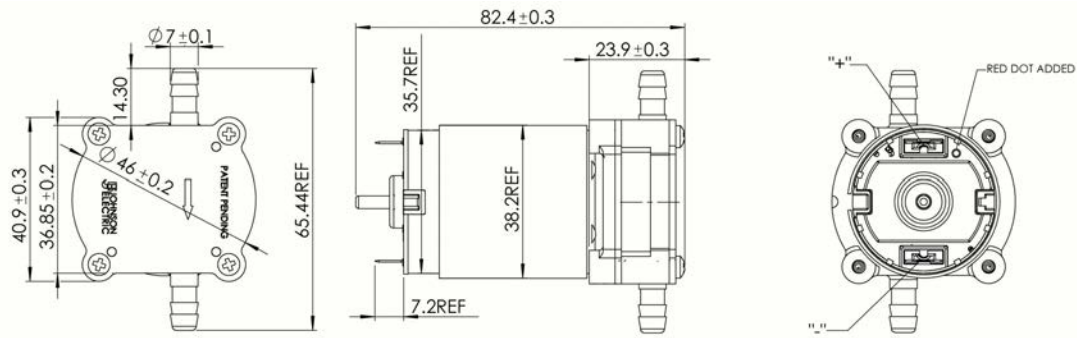
**Performance Data:**

	Valve Fully Open	Typical Working Point	Max Efficiency	Valve Closed
Water Flow Rate (ml/min)	2000	1800	1500	-
Input Power to Motor (W)	20.00	23.00	28.00	-
Efficiency (% , Pump)	-	-	33	-
Efficiency (% , Motor)	-	-	68	-
Water Pressure (bar)	0.30	1.00	2.00	6.00

Application Examples:

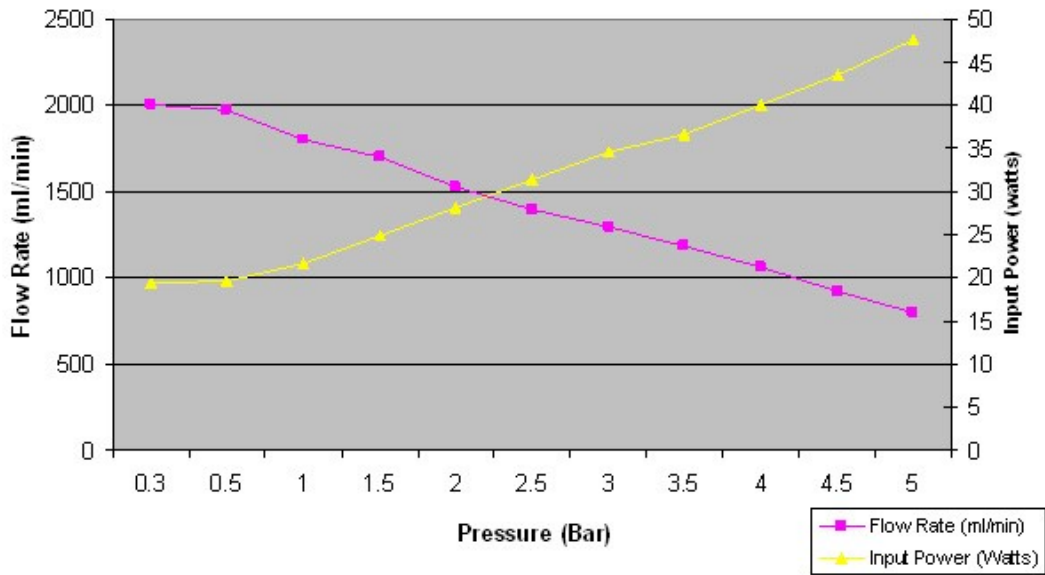
Beverage Machines, Beverage Dispensing, Coffee Machines, Pumps

Drawing:



Performance Curves:

Performance Curve of JE GP600 Gear Pump



Units in Metric



ERMEC, S.L. BARCELONA
 C/ Francisc Teixidó, 22
 08918 Badalona
 (España)

Tel.: (+34) 902 450 160
 Fax: (+34) 902 433 088
info@ermec.com
www.ermec.com

ERMEC, S.L. MADRID
 c/Mejorada, 17, 1ª Pla. Of. D4
 28850 Torrejón de Ardoz
 (España)

PORTUGAL
portugal@ermec.com

BILBAO
bilbao@ermec.com

Characteristics:

High and Controllable Flow Rate

Specifications:

Dimensions	: 56.0 X 94.3 X 76.6 mm
Input Voltage	: 24.0 V DC
Rated Flow Rate 1	: 2300 ml/min @ 2.00 bar
Max Flow Rate	: 3000.00 ml/min @ 0.25 bar
Max Pressure	: 7.00 bar
Fluid Temperature Range	: 5 to 55 °C
Fluid Type	: water, detergent, high viscosity fluids
Maximum Efficiency	: 28 %
Maximum Efficiency of Motor	: 62 %
Flow Rate at Maximum Efficiency	: 2100 ml/min
Noise Level	: 78 dBA
Noise Level Condition	: Noise probe located at 0.1m from pump body
Other Feature	: Self Prime Height: 80cm under flow rate of 3000ml/min ; Inlet & Outlet OD: 7.0mm ; Speed adjustable ; Reversible flow
Life (typical)	: 200 hr
Life Test Condition	: 15s ON / 15s OFF, cold water at 20°C @ 2.0bar
Weight	: 460 g
Operation Temperature	: 2 to 50 °C
Storage Temperature	: -20 to 85 °C
Electrical Connection	: Connector Housing Terminal
Certification	: Option for FDA certification

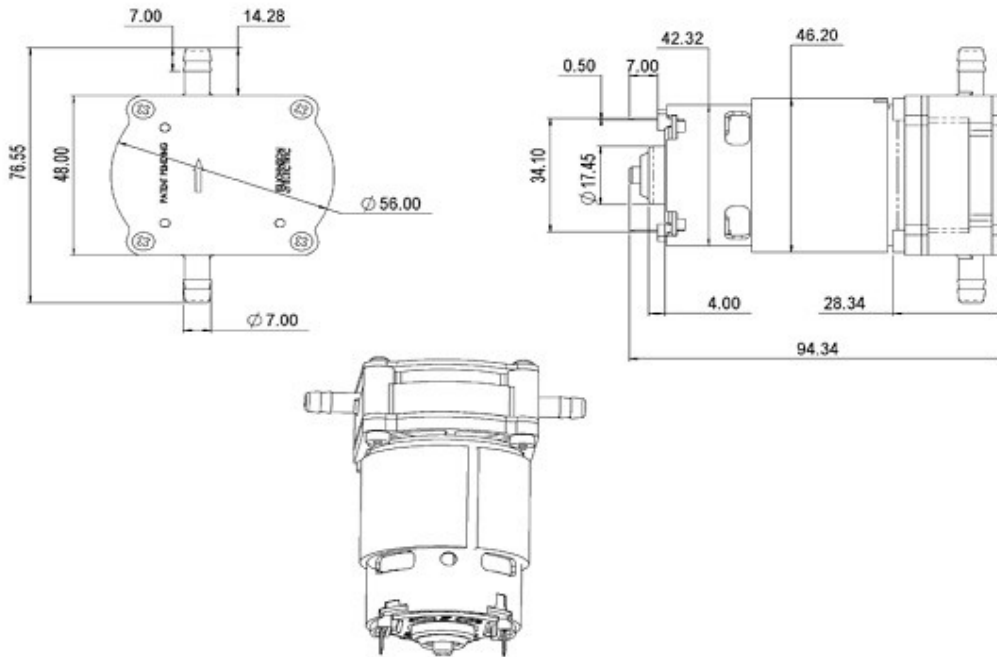
**Performance Data:**

	Valve Fully Open	Typical Working Point	Max Efficiency	Valve Closed
Water Flow Rate (ml/min)	3000	2300	2100	-
Input Power to Motor (W)	35.00	47.00	60.00	-
Efficiency (% , Pump)	-	-	28	-
Efficiency (% , Motor)	-	-	62	-
Water Pressure (bar)	0.25	2.00	3.00	7.00

Application Examples:

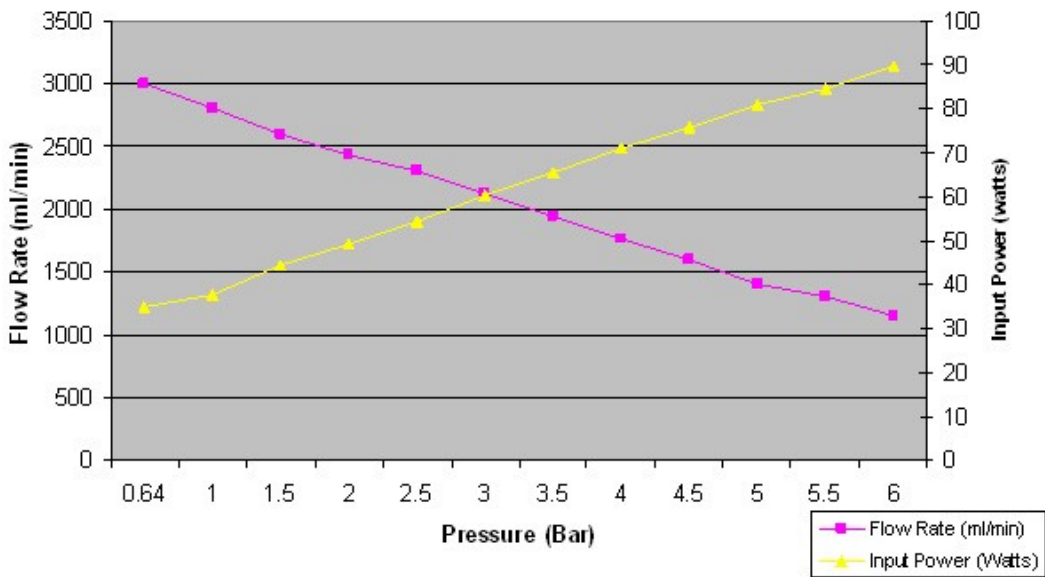
Beverage Machines, Beverage Dispensing, Coffee Machines, Pumps, Detergent Dosing

Drawing:



Performance Curves:

Performance Curve of JE GP700 Gear Pump



Units in Metric



ERMEC, S.L. BARCELONA
C/ Francesc Teixidó, 22
08918 Badalona
(España)

Tel.: (+34) 902 450 160
Fax: (+34) 902 433 088
info@ermec.com
www.ermec.com

ERMEC, S.L. MADRID
c/Mejorada, 17,1ªPlá.Of.D4
28850 Torrejón de Ardoz
(España)

PORTUGAL
portugal@ermec.com
BILBAO
bilbao@ermec.com