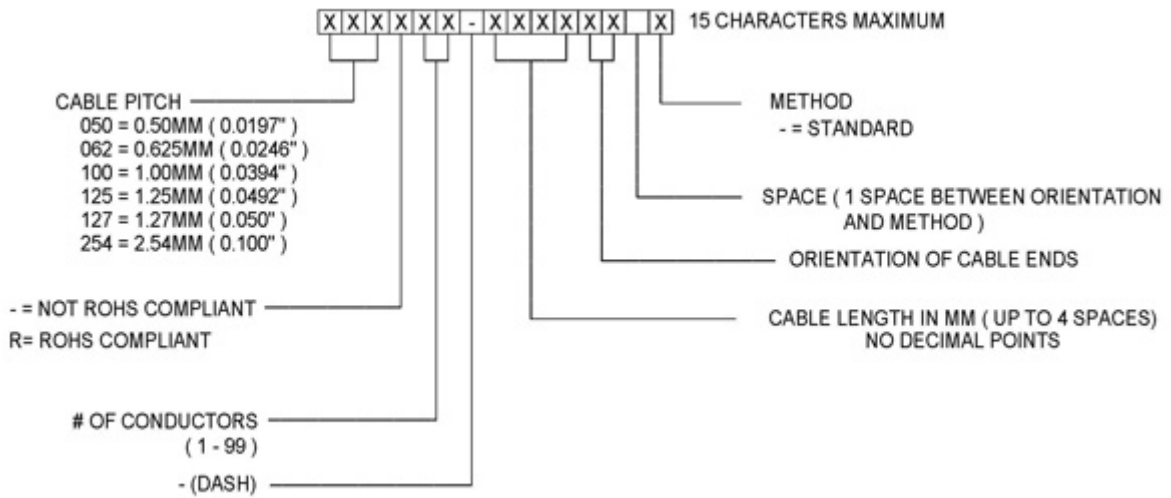


# Parlex FFC Part Numbering

## Parlex Standard Part Numbering



## Cable Orientations

### CABLES IN PIECE FORM

<b>B</b>	ZIF WITH STIFFENERS BOTH ENDS
<b>BN</b>	ZIF WITH STIFFENER ONE END ONLY
<b>BO</b>	ZIF WITH STIFFENERS OPPOSITE SIDES
<b>BL</b>	ZIF WITH STIFFENER ONE END AND LASERED ONE END <small>0.112" REF. BUSSBAR</small> <small>0.280"±0.030" LASERED AREA</small>
<b>BT</b>	ZIF WITH STIFFENER ONE END AND ONE END BLUNT CUT

### CABLES IN PIECE FORM

<b>N</b>	ZIF WITH NO STIFFENERS
<b>NO</b>	ZIF WITH NO STIFFENERS OPPOSITE SIDES
<b>NL</b>	ZIF WITH NO STIFFENER ONE END AND LASERED ONE END <small>0.112" REF. BUSSBAR</small> <small>0.280"±0.030" LASERED AREA</small>
<b>NT</b>	ZIF WITH NO STIFFENER ONE END AND ONE END BLUNT CUT
<b>L</b>	LASERED CABLE BOTH ENDS <small>0.112" REF. BUSSBAR</small> <small>0.280"±0.030" LASERED AREA</small>
<b>TT</b>	CABLE BLUNT CUT BOTH ENDS

Johnson Electric provides the widest variety of FFC interconnect options available to suit your needs:

- Johnson Electric provides manufacturing and assembling capable of meeting requirements of J-STD-001 and IPC-A-610 specifications.
- Termination options- mix and match LIF, ZIF, Hirose DF9 connectors, Auto Line, Tyco/AMP FFC receptacle, or solder tabs termination in same side or opposite side configuration

- Pitch options — 0.50mm to 2.54mm with 1-99 conductors
- Bendable EMI shielding to meet FCC Class B requirements
- Ultimate flexibility- specify margins, backers and windows- just the way you want them

As an innovative leader in the production of laminated flat flexible cables (FFC), Johnson Electric brings years of experience to a wide range of applications. Laminated FFC provide superior reliability solutions in dynamic flex and service loop applications for automotive, telecommunications, medical, consumer electronics and other industry sectors.

All of our Parlex brand laminated flat flexible cables are manufactured to exact specifications. Ordering is made easy — customers can provide their own design specifications or use Parlex's part numbering system. Either way, a solution is provided that meets the customer's requirements by enabling specification of wire size, insulation material, pitch, length, number of conductors, and termination.

## ZIF Flat Flexible Cable



The ZIF cable is a RoHS compliant laminated flat flexible cable solution used most commonly in board to board interconnect applications. This solution is fully compatible with space saving, low profile LIF (Low Insertion Force) and ZIF (Zero Insertion Force) connectors. LIF and ZIF connectors offer SMT automated board assembly, easy insertion and removal of the cable for service. It is available in standard pitch sizes of 0.50, 0.625, 0.80, 1.00, 1.25, 1.27, and 2.54mm, 0 to 99 conductors, 1-9999mm length, and same side or opposite side end orientation with or without backers.

### Technical Documents

- [Standard ZIF Style Cables Part Numbering Configurations \(PS-3705\)](#)

## Bulk Flat Flexible Cable



Parlex provides RoHS compliant cable in bulk format. Bulk FFC is shipped in 500ft (154.2m) rolls typically with 1.27mm (0.050") and 2.54mm (0.100") pitch spacing. This enables customers to perform the cut and crimp operations and is often used in prototype applications.

Please specify RoHS requirement when ordering.

### Technical Documents

- [Parlex Create-a-Part Numbering System](#) for 1.27mm bulk FFC (PS1636)
- [Parlex Create-a-Part Numbering System](#) for 2.54mm bulk FFC (PS1635)

### **View our unique solutions**

- [Long Life, Shielded FFC Jumpers for Dynamic Flex Applications](#)
- [FFC Molded Cables for Rugged Environments](#)
- [Coved Flex Circuits for High Cycle Rate Applications](#)
- [Parlex Flexible Interconnects with ZIF Connectors](#)

### **More**

- [FFC Connection Options](#)
- [Shielding Selection Guide](#)