

PQ series

Stainless steel keypads with square keys



DISTINCTIVE FEATURES

Flush keys

Rear mounting

12.5 or 15 mm square keys

Panel sealed to IP65

Custom markings on request



ENVIRONMENTAL SPECIFICATIONS

- Front sealing : IP65 according to DIN 40050-9
- Operating temperature : -20 °C to +70 °C (-4 °F to +158 °F)
- Storage temperature : -40 °C to +85 °C (-40 °F to +185 °F)
- Impact resistance : IK07 according to EN 50102
- Flame resistance : UL94 HB horizontal position (30 seconds max).
- Salt spray : 96 hours according to IEC 512-6, test 11f
- Washable : most commonly used detergents and solvents



ELECTRICAL SPECIFICATIONS

- Output type : matrix (NO contacts)
- Max. current/voltage rating with resistive load : 50 mA at 12 VDC
- Initial contact resistance ON : 10Ω max.
- Insulation resistance : 1GΩ min. at 500 VDC
- LED backlight : 12 VDC (standard version)



GENERAL SPECIFICATIONS

- Contact force : 4 N ± 0.5 N (non-illuminated version)
3.5 N ± 0.5 N (illuminated version)
- Stroke : 0.5 mm (.019)
- Low level or mechanical life : 1 million cycles
- Panel thickness : 2 mm (.078) (standard version)
- Connection : male connector

The company reserves the right to change specifications without notice.



PQ series

Stainless steel keypads with square keys



MATERIALS

- Keytops : 316L stainless steel
- Key : ABS or PA6 nylon (illuminated versions)
- Frame : 304 stainless steel
- PCB : FR4
- Seal : 0.4 mm thick silicone
- Actuator : Stainless steel snap domes AISI 304
- Contacts : gold plated

APEM products may be recycled at end-of-life for the re-claiming of valuable metal components.



EXTRA FEATURES AVAILABLE ON REQUEST

- Front mounting

Stainless steel keypads with square keys



BUILD YOUR PART NUMBER



MODELS

- PQR** 12.5x12.5 (.492x.492) keys
- PQ0** 15x15 (.590x.590) keys



NO OF KEYS

- 04** 4 keys
- 12** 12 keys
- 16** 16 keys



FRAME

- 1** With frame, rear mounting



ILLUMINATION

- 0** Non-illuminated
- L** Illuminated



LED COLORS

- XX** No LED
- 0R** Red
- 0B** Blue
- 0G** Green
- 0Y** Yellow



VOLTAGE

- XX** Without
- 05** 5 VDC
- 12** 12 VDC
- 24** 24 VDC



MARKING

- 0** Blank keys
- S** Standard marking
- C** Custom marking



ABOUT THIS SERIES

Some configurations are shown on the following pages. Other drawings are available on request.

Notice : please note that not all combinations of above numbers are available. Refer to the following pages for further information.

12.5 MM SQUARE KEYS - 4-KEY MODEL NON-ILLUMINATED



PQR04100

12.5 MM SQUARE KEYS - 4-KEY MODEL ILLUMINATED



PQR041L0Y120

12.5 MM SQUARE KEYS - 12-KEY MODEL NON-ILLUMINATED



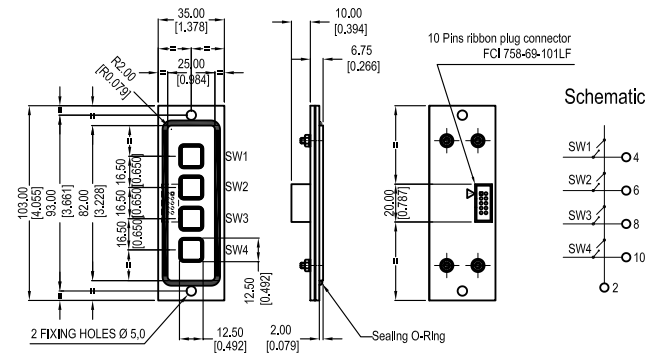
PQR1210S

12.5 MM SQUARE KEYS - 12-KEY MODEL ILLUMINATED

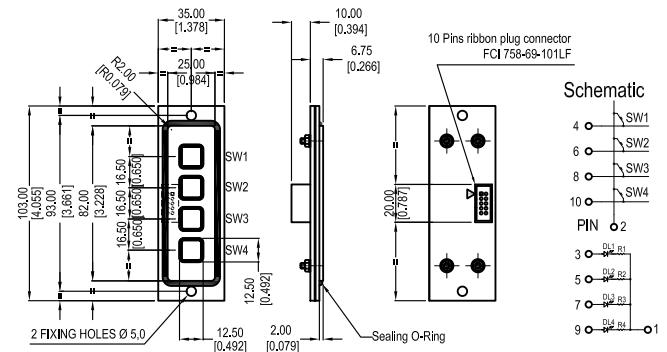


PQR121L0Y12S

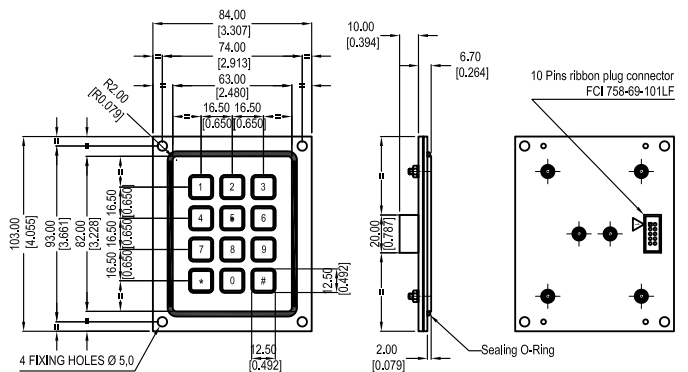
Customer panel CUT-OUT: (Panel thickness from 1,5 to 2,0 mm) 82,5 x 25,5 R=2,25



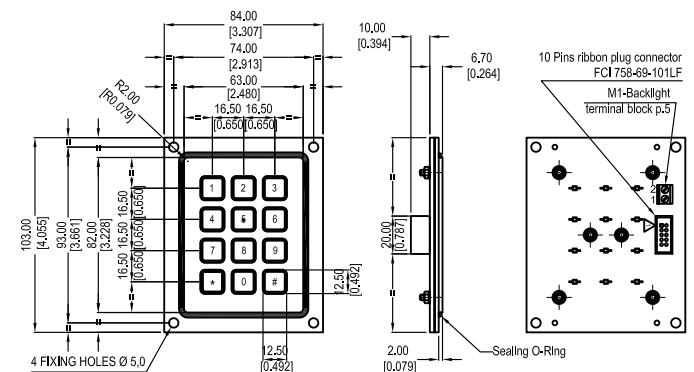
Customer panel CUT-OUT: (Panel thickness from 1,5 to 2,0 mm) 82,5 x 25,5 R=2,25



Customer panel CUT-OUT: (Panel thickness from 1,5 to 2,0 mm) 82,5 x 63,5 R=2,25



Customer panel CUT-OUT: (Panel thickness from 1,5 to 2,0 mm) 82,5 x 63,5 R=2,25



PQ series

Stainless steel keypads with square keys

12.5 MM SQUARE KEYS - 16-KEY MODEL NON-ILLUMINATED



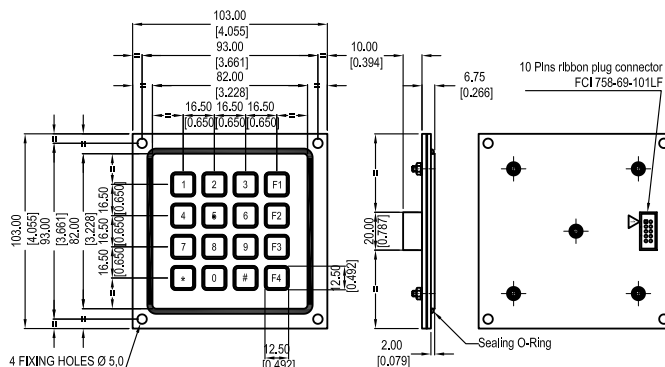
PQR1610S

12.5 MM SQUARE KEYS - 16-KEY MODEL ILLUMINATED

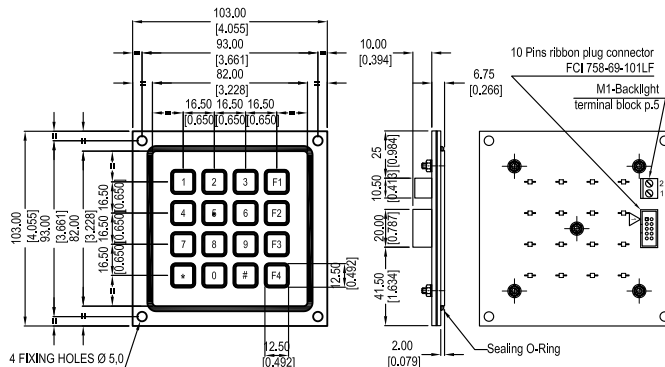


PQR161L0Y12S

Customer panel CUT-OUT: (Panel thickness from 1,5 to 2,0 mm) 82,5 x 82,5 R=2,25



Customer panel CUT-OUT: (Panel thickness from 1,5 to 2,0 mm) 82,5 x 82,5 R=2,25



ERMEC, S.L. BARCELONA
C/ Francesc Teixido, 22
08918 Badalona SPAIN

Tel. +34 902 450 160
info@ermec.com
www.ermec.com

ERMEC, S.L. - MADRID
C/ Puerto Rico, 4
28222 Majadahonda (Madrid) SPAIN

bilbao@ermec.com
portugal@ermec.com