

# PHAP5-30 series

Tact switches • 6 x 6 mm standard package



## DISTINCTIVE FEATURES

- Compact size
- Positive tactile feed back
- Through-hole or SMT



## ENVIRONMENTAL SPECIFICATIONS

- Operating Temperature: -25 °C to +70 °C (-13 °F to +158 °F)
- Storage Temperature: -30 °C to +80 °C (-22 °F to +176 °F)



## ELECTRICAL SPECIFICATIONS

- Contact rating: 50 mA 12 VDC
- Contact Resistance: 100 mΩ max.
- Insulation Resistance: 100 MΩ min. at 500 VDC
- Dielectric Strength: 250 VAC / 1 minute



## MECHANICAL SPECIFICATIONS

- Operating force: 160 g ±50 g, 260 g ±50 g
- Mechanical life:
  - 100,000 cycles min. for 260 g
  - 200,000 cycles min. for 160 g
- Travel: 0.25 mm



## MATERIALS

- Body: Polyamide
- Contact: Silver plated phosphor bronze
- Cover: Stainless Steel
- Terminal: Silver plated brass
- Actuator: Polyamide

The company reserves the right to change specifications without notice.



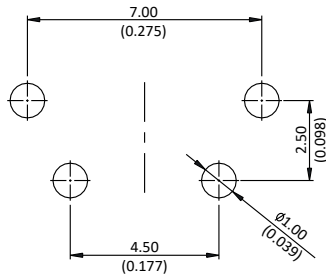
# PHAP5-30 series

Tact switches • 6 x 6 mm standard package

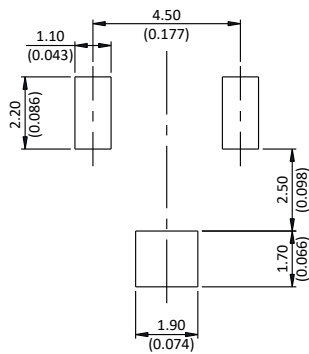


## PCB LAYOUT

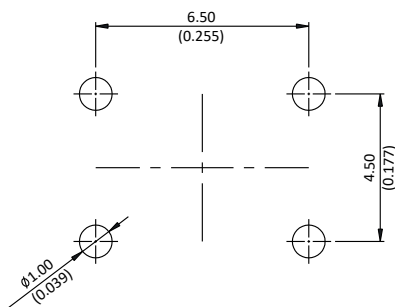
### 30R THROUGH-HOLE



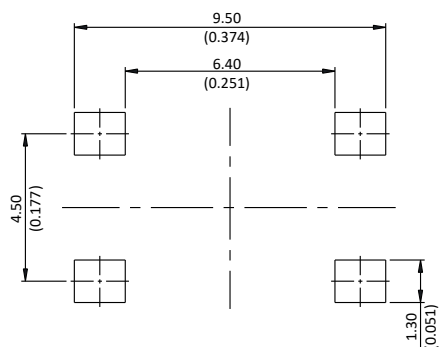
### 30R SURFACE MOUNT



### 30V THROUGH-HOLE



### 30V SURFACE MOUNT



## PACKAGING

PART NUMBER	PACKAGING QUANTITY		
	BAG	TUBE	TAPE AND REEL
PHAP5-30V***T***	1,000 pcs	-	-
PHAP5-30V***S***	-	77 pcs	1,000 pcs
PHAP5-30R***T***	500 pcs	-	-
PHAP5-30R*2A*S***	-	-	500 pcs
PHAP5-30R*2B*S***	-	-	500 pcs
PHAP5-30R*2C*S***	-	-	380 pcs
PHAP5-30R*2D*S***	-	-	380 pcs
PHAP5-30R*2K*S***	-	-	380 pcs

# PHAP5-30 series

Tact switches • 6 x 6 mm standard package



## BUILD YOUR PART NUMBER

<b>PHAP5-</b>	_____	_____	_____	_____	_____																				
SERIES	PACKAGE	STYLE	CONTACT M	HEIGHT/LENGTH (SPECIFIED DIMENSIONS)	FORCE																				
	<b>30</b> 6 x 6 standard	<b>V</b> Vertical <b>R</b> Right angle	<b>A</b> Standard	<table border="0"> <tr><td><b>2A</b></td><td>4.3 mm</td></tr> <tr><td><b>2B</b></td><td>5 mm</td></tr> <tr><td><b>2C</b></td><td>7 mm</td></tr> <tr><td><b>2D</b></td><td>9.5 mm</td></tr> <tr><td><b>2F</b></td><td>3.15 mm</td></tr> <tr><td><b>2G</b></td><td>3.85 mm</td></tr> <tr><td><b>2H</b></td><td>8.35 mm</td></tr> <tr><td><b>2J</b></td><td>6.15 mm (2.4X2.4)</td></tr> <tr><td><b>2K</b></td><td>7.30 mm (2.4X2.4)-(3.8X3.8)</td></tr> <tr><td><b>2W</b></td><td>5.85 mm</td></tr> </table> <p>See drawings for availability</p>	<b>2A</b>	4.3 mm	<b>2B</b>	5 mm	<b>2C</b>	7 mm	<b>2D</b>	9.5 mm	<b>2F</b>	3.15 mm	<b>2G</b>	3.85 mm	<b>2H</b>	8.35 mm	<b>2J</b>	6.15 mm (2.4X2.4)	<b>2K</b>	7.30 mm (2.4X2.4)-(3.8X3.8)	<b>2W</b>	5.85 mm	<b>2</b> 160 g <b>3</b> 260 g
<b>2A</b>	4.3 mm																								
<b>2B</b>	5 mm																								
<b>2C</b>	7 mm																								
<b>2D</b>	9.5 mm																								
<b>2F</b>	3.15 mm																								
<b>2G</b>	3.85 mm																								
<b>2H</b>	8.35 mm																								
<b>2J</b>	6.15 mm (2.4X2.4)																								
<b>2K</b>	7.30 mm (2.4X2.4)-(3.8X3.8)																								
<b>2W</b>	5.85 mm																								

_____	_____	_____	_____	+	_____
MOUNTING	GROUNDING	WASHABLE	PACKAGING		CAPS*
<b>T</b> Through-hole <b>S</b> Surface mount	<b>2</b> Non ground	<b>N</b> No sealing	<b>2</b> Bag <b>3</b> Tube <b>4</b> Tape and reel  See packaging table for availability		<b>U5520</b> 4 mm square cap <b>U5530</b> 4.5 mm round cap  * Optional

# PHAP5-30 series

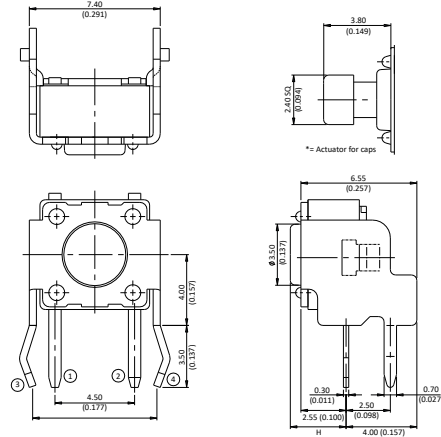
Tact switches • 6 x 6 mm standard package

## 30R: 6 X 6 STANDARD - RIGHT ANGLE - THROUGH-HOLE



	Height H
PHAP5-30RA2F	3.15 (0.124)
PHAP5-30RA2G	3.85 (0.151)
PHAP5-30RA2W	5.80 (0.228)
PHAP5-30RA2J	6.15* (0.242)
PHAP5-30RA2H	8.35 (0.328)

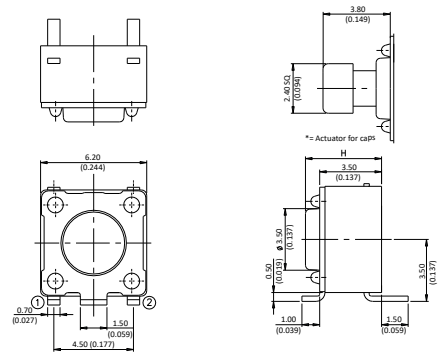
\*=2.40 (0.094) SQ for caps



## 30R: 6 X 6 STANDARD - RIGHT ANGLE - SURFACE MOUNT

	Height H
PHAP5-30RA2A	4.30 (0.169)
PHAP5-30RA2B	5.00 (0.196)
PHAP5-30RA2C	7.00 (0.275)
PHAP5-30RA2D	9.50 (0.374)
PHAP5-30RA2K	7.30* (0.287)

\*=2.40 (0.094) SQ for caps

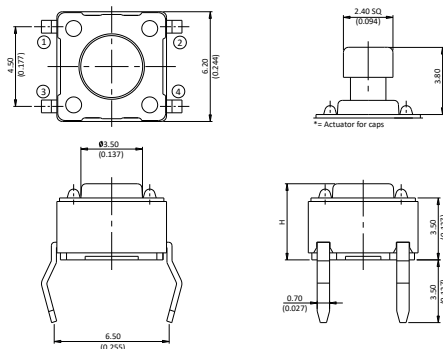


## 30V: 6 X 6 STANDARD - VERTICAL - THROUGH-HOLE



	Height H
PHAP5-30VA2A	4.30 (0.169)
PHAP5-30VA2B	5.00 (0.196)
PHAP5-30VA2C	7.00 (0.275)
PHAP5-30VA2D	9.50 (0.374)
PHAP5-30VA2K	7.30* (0.287)

\*=2.40 (0.094) SQ for caps

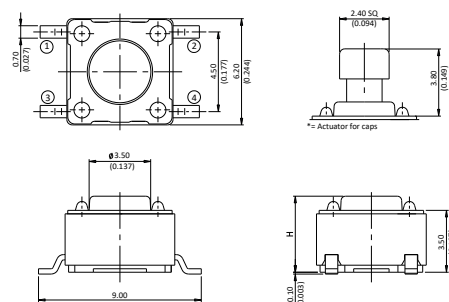


## 30V: 6 X 6 STANDARD - VERTICAL - SURFACE MOUNT



	Height H
PHAP5-30VA2A	4.30 (0.169)
PHAP5-30VA2B	5.00 (0.196)
PHAP5-30VA2C	7.00 (0.275)
PHAP5-30VA2D	9.50 (0.374)
PHAP5-30VA2K	7.30* (0.287)

\*=2.40 (0.094) SQ for caps



# PHAP5-30 series

Tact switches • 6 x 6 mm standard package

## CAPS

P/N  +

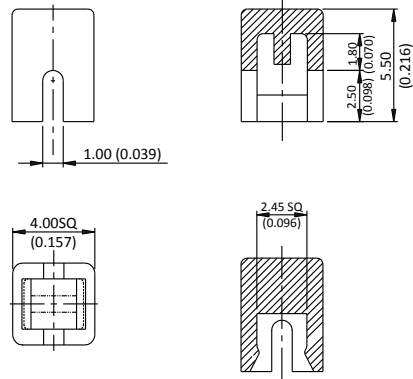
- U5520 4 mm square cap
- U5530 4.5 mm round cap

Replace "0" by number for cap colors :

- 1 Blue
- 2 Black
- 3 green
- 4 Grey
- 5 Yellow
- 6 Red
- 7 Ivory



### 4 MM SQUARE CAP



### 4.5 MM ROUND CAP

