

TR series

Subminiature washable rocker switches



DISTINCTIVE FEATURES

- Process sealed
- Single piece case
- Front and rear sealing
- Wide variety of contact materials
- Same PCB layout as TL, TP and TG subminiature switches



ENVIRONMENTAL SPECIFICATIONS

- Operating temperature : -30 °C to +85 °C (-22 °F to +185 °F)
- Moisture : 21 days 95 % (NFC 20-603 - IEC 68-2-3)



ELECTRICAL SPECIFICATIONS

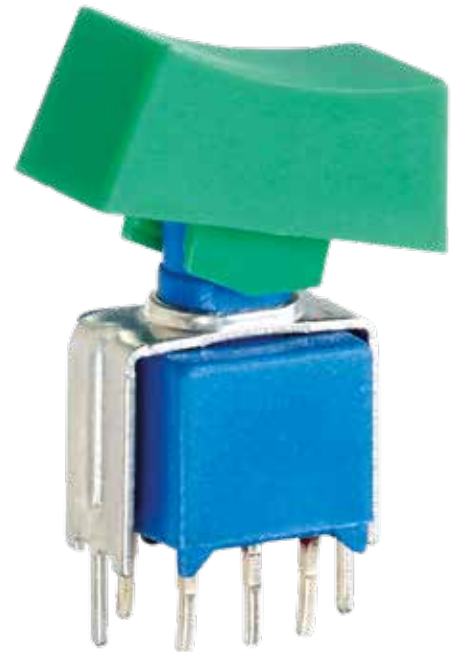
- Max. current/voltage rating with resistive load :
 - gold plated contacts : 0.4 VA 20 V max. AC or DC
 - silver plated contacts : 0.5 A 48 V max. AC or DC
- Minimum load : 10 mA 50 mV - 10 µA 5 VDC
- Contact resistance : 20 mΩ max.
- Insulation resistance : 1,000 MΩ min. at 500 VDC
- Dielectric strength :
 - 1,000 Vrms 50 Hz min. between terminals and frame
 - 500 Vrms 50 Hz min. between terminals
- Electrical life at full load :

Contacts	Number of cycles	
	2 positions	3 positions
Gold plated	60,000	30,000
Silver plated	20,000	10,000



GENERAL SPECIFICATIONS

- Strength of terminals : pull-out force - 10 N max
- Cleaning : solvents or water + detergent
- Wave soldering : 260 °C (500 °F) - 5 sec.



The company reserves the right to change specifications without notice.

TR series

Subminiature washable rocker switches



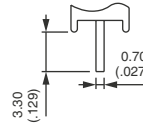
MATERIALS

- Case : PBT
- Actuator : polyamide
- Contacts and terminals :
 - 0 : brass, gold plated
 - 1 : brass, silver plated
 - 3 : brass, gold plated (1.27 micron gold)
 - 8 : contact brass, gold plated + tin plated terminals
 - 9 : contact brass, gold plated (1.27 micron gold) + tin plated terminals
- Terminal seal : epoxy

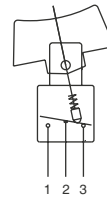
APEM products may be recycled at end-of-life for the re-claiming of valuable metal components.



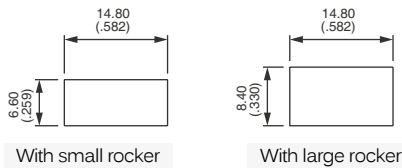
TERMINALS



ELECTRICAL FUNCTIONS



PANEL CUT-OUT

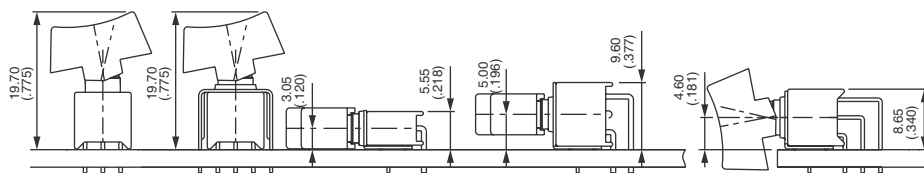


With small rocker

With large rocker

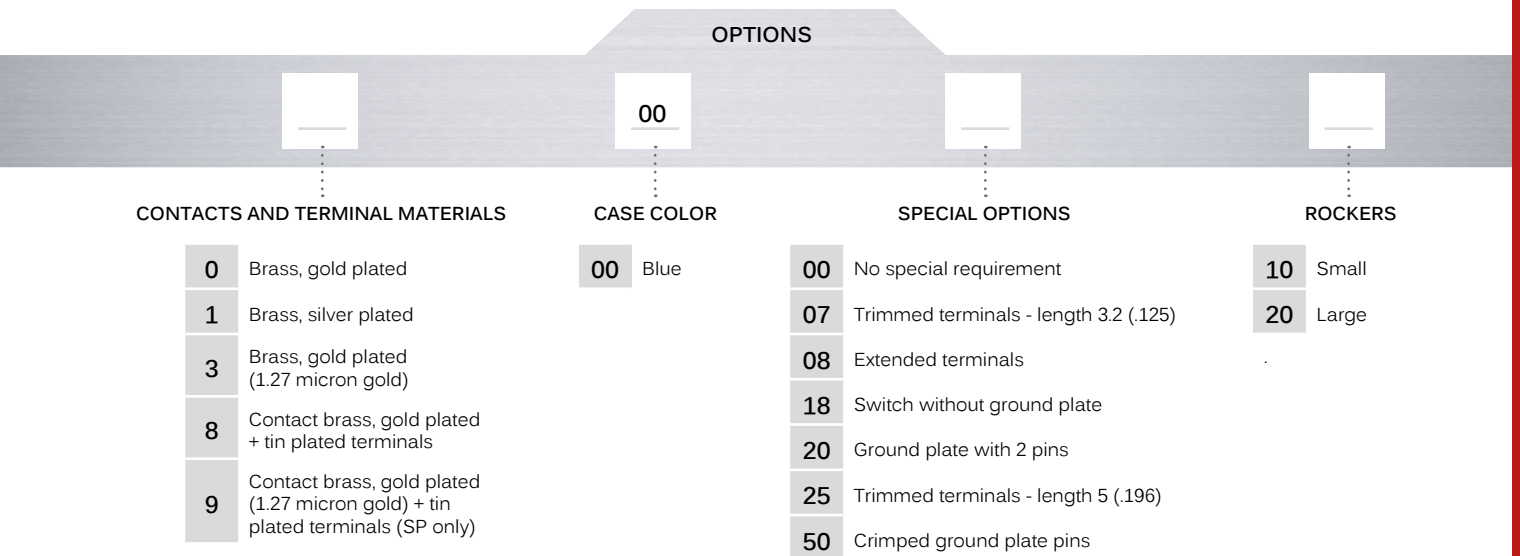
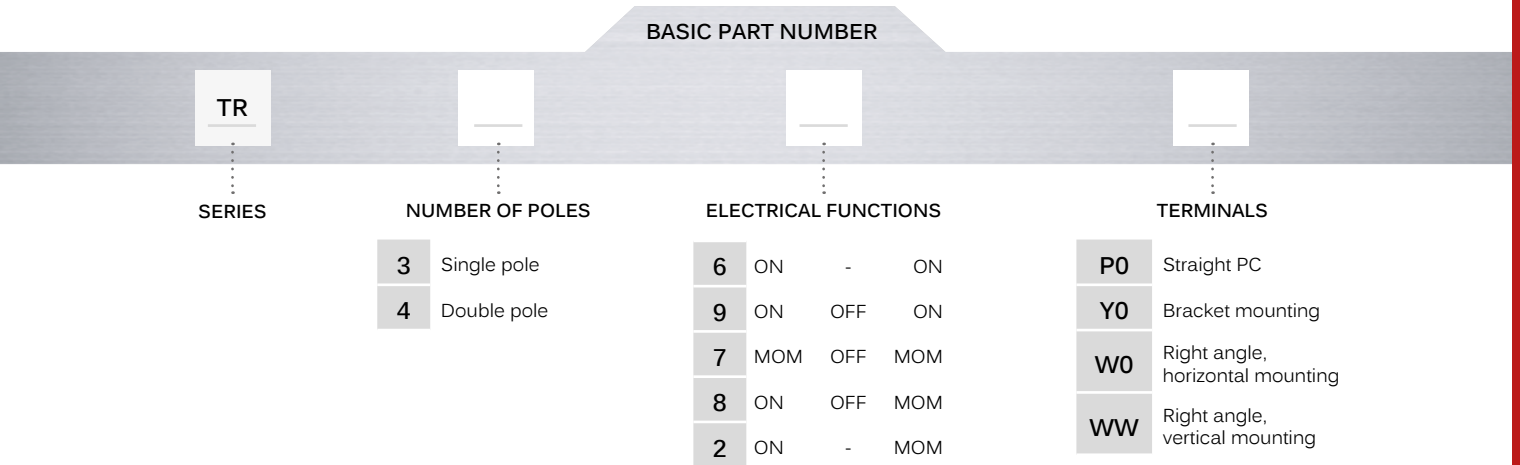


PCB MOUNTING





BUILD YOUR PART NUMBER



ABOUT THIS SERIES

On the following pages, you will find successively basic part numbers of switches and options in the same order as in above chart.



Notice : please note that not all combinations of above numbers are available. Refer to the following pages for further information.

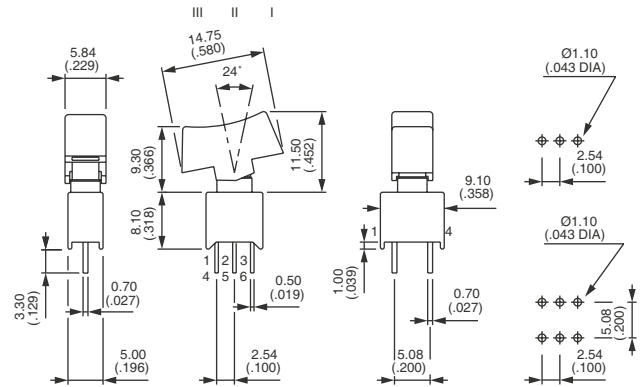
TR series

Subminiature washable rocker switches

STRAIGHT PC TERMINALS : TR..PO



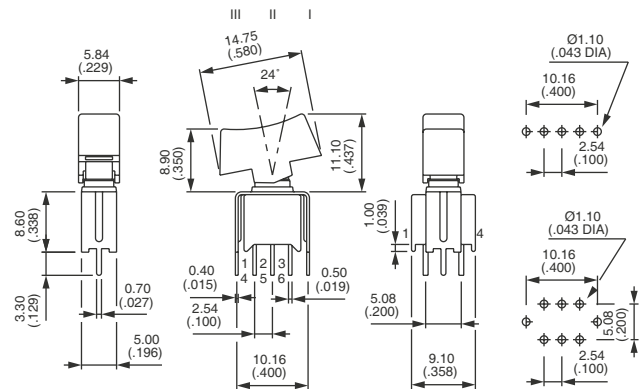
	Single pole	Double pole	III	II	I
	TR36PO	TR46PO	ON	-	ON
	TR39PO	TR49PO	ON	OFF	ON
	TR37PO	TR47PO	MOM	OFF	MOM
	TR38PO	TR48PO	ON	OFF	MOM
	TR32PO	TR42PO	ON	-	MOM



STRAIGHT TERMINALS BRACKET MOUNTING : TR..YO



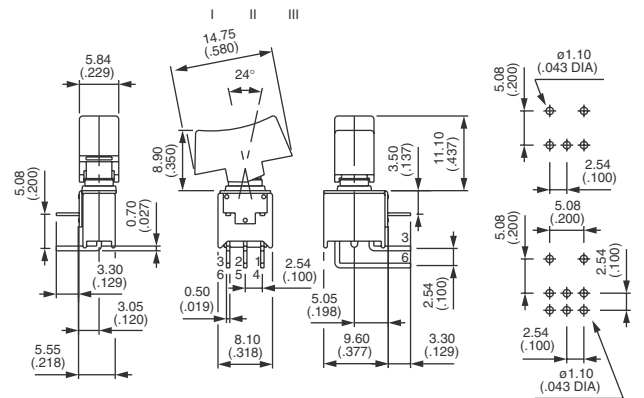
	Single pole	Double pole	III	II	I
	TR36YO	TR46YO	ON	-	ON
	TR39YO	TR49YO	ON	OFF	ON
	TR37YO	TR47YO	MOM	OFF	MOM
	TR38YO	TR48YO	ON	OFF	MOM
	TR32YO	TR42YO	ON	-	MOM



RIGHT ANGLE TERMINALS HORIZONTAL MOUNTING : TR..WO



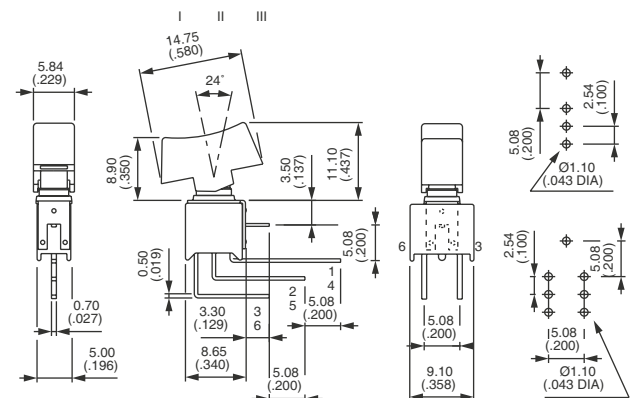
	Single pole	Double pole	III	II	I
	TR36WO	TR46WO	ON	-	ON
	TR39WO	TR49WO	ON	OFF	ON
	TR37WO	TR47WO	MOM	OFF	MOM
	TR38WO	TR48WO	ON	OFF	MOM
	TR32WO	TR42WO	ON	-	MOM



RIGHT ANGLE TERMINALS VERTICAL MOUNTING : TR..WW

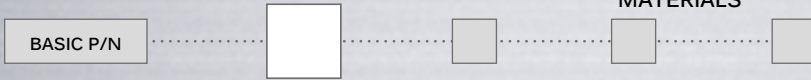


	Single pole	Double pole	III	II	I
	TR36WW	TR46WW	ON	-	ON
	TR39WW	TR49WW	ON	OFF	ON
	TR37WW	TR47WW	MOM	OFF	MOM
	TR38WW*	TR48WW*	ON	OFF	MOM
	TR32WW*	TR42WW*	ON	-	MOM



*Functions 2 and 8 : reversed connection available . Consult factory.

CONTACT AND TERMINAL MATERIALS



- 0 Brass, gold plated
- 1 Brass, silver plated
- 3 Brass, gold plated (1.27 micron gold)
- 8 Contact brass, gold plated + tin plated terminals
- 9 Contact brass, gold plated (1.27 micron gold) + tin plated terminals (single pole only)

CASE COLOR

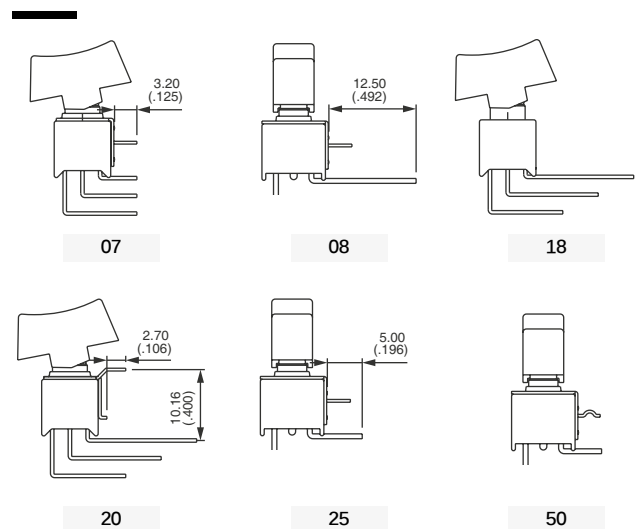


- 00 Blue

SPECIAL OPTIONS



- 00 No special requirement
- 07 **Trimmed terminals** - length 3.2 mm (.125) for TR..WW models only
- 08 **Extended terminals** for TR..W0 models only
- 18 Switch **without ground plate** for TR..WW models only
- 20 **Ground plate with 2 pins** for TR..WW models only
- 25 **Trimmed terminals** - length 5 mm (.196) for all models, except TR..WW
- 50 **Crimping of ground plate pins.**
Retains switch on PC during handling and wave soldering.
For models TR..W0, TR..WW and TR..Y0 single and double pole.



Marking on rocker : consult factory.

TR series

Subminiature washable rocker switches

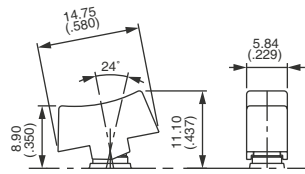
ROCKERS

BASIC P/N

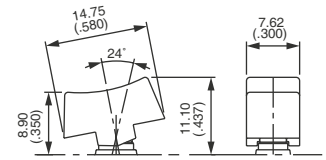
- 10 Small
- 20 Large

For cap colors, replace "0" by number :

- 1 Blue
- 1/4 Dark blue
- 2 Black
- 3 Green
- 4 Grey
- 5 Yellow
- 6 Red
- 7 Ivory
- 7/1 White
- 9 Orange



10



20