



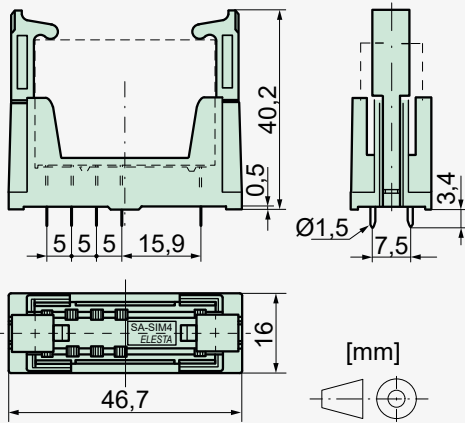
Print socket SRP-SIM4

Socket data

- With plastic retaining bracket
- Socket with print connections



Dimensions



Technical data

Rated current	8A
Rated voltage	250 VAC
Test voltage coil/contacts	4 000 Vrms
Insulation class IEC 60664-1	250 VAC
Creepage resistance	CTI 250
Weight	approx. 11 g
Ambient temperature	-25°C to +70°C
Packing unit	10 pcs
Approvals	UL, cUL
UL File	E301947

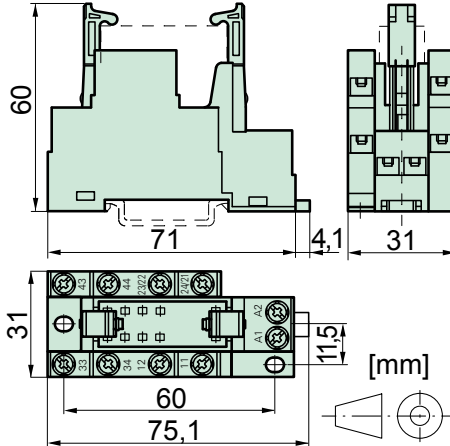
DIN rail socket SRD-SIM4

Socket data

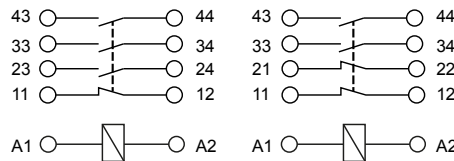
- With plastic retaining bracket
- Plug-in socket with screw terminals
- Assembly on DIN rail 35 mm or single-hole mounting with two M3 screws



Dimensions



SRD-SIM4 (SIM312...) SRD-SIM4 (SIM222...)



Technical data

Rated current	8A
Rated voltage	250 VAC
Test voltage coil/contacts	3 000 Vrms
Insulation class IEC 60664-1	250 VAC
Creepage resistance	CTI 250
Weight	approx. 65 g
Ambient temperature	-25°C to +70°C
Connection cross-sections	for wires: 2 x 2,5 mm ² for wire end ferrules: 2 x 1,5 mm ²
Maximum torque	0,8 Nm
Packing unit	10 pcs
Approvals	UL, cUL
UL File	E238167

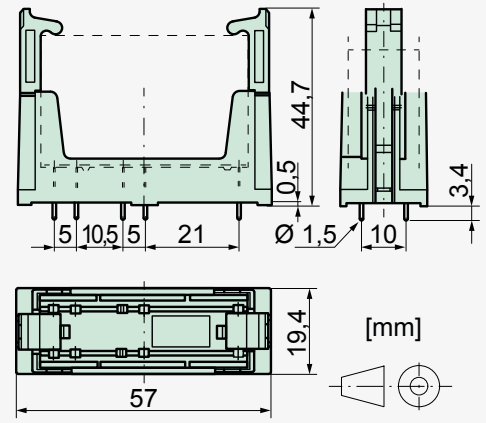
Print socket SRP-SIR4

Socket data

- PCB socket for SIR4 contacts
- With plastic retaining bracket
- Socket with print connections



Dimensions



Technical data

Rated current	8A
Rated voltage	250 VAC
Test voltage coil/contacts	4 000 Vrms
Insulation class IEC 60664-1	250 VAC
Creepage resistance	CTI 250
Weight	approx. 15 g
Ambient temperature	-25°C to +70°C
Packing unit	10 pcs
Approvals	UL, cUL
UL File	E301947