

APEM
an IDEC company

YW SERIES

∅ 22 mm
Switches & Pilot Devices



NEW RANGE

- Modular Construction
- Efficient, easy to assemble & low maintenance
- Robust heavy duty rugged design
- Certified to UL, CSA & CCC



ERMEC, S.L. BARCELONA
C/ Francesc Teixidó, 22
08918 Badalona SPAIN

Tel. +34 902 450 160
info@ermec.com
www.ermec.com

ERMEC, S.L. - MADRID
C/ Puerto Rico, 4
28222 Majadahonda (Madrid) SPAIN

bilbao@ermec.com
portugal@ermec.com

TECHNICAL SPECIFICATIONS

- Insulation Resistance : 100 MΩ
- Dielectric Strength
 - Contact block: 2,500V, 1 minute
 - Pilot light: 2,000V, 1 minute
- Mechanical Life (minimum operations) :
 - Pushbutton and illuminated pushbutton :
 - Momentary: 5,000,000 (single contact block)
 - 1,000,000 (double contact block)
 - Maintained: 250,000 (single contact block)
 - 100,000 (double contact block)
 - Selector switch and key selector switch :
 - 250,000 (single contact block)
 - 100,000 (double contact block)
- Electrical Life (minimum operations) :
 - 100,000 (single contact block)
 - 50,000 (double contact block)

ENVIRONMENTAL SPECIFICATIONS

- Operating Temperature : -20 to +55 °C (no freezing)
- Operating Humidity : 45 to 85% RH (no condensation)
- Storage Temperature : -45 to +80 °C
- Degree of Protection
 - Panel front: IP65 (IEC60529)
 - Terminal: IP20 (IEC60529)
- Vibration Resistance
 - Operating extremes: 5 to 55 Hz, amplitude 0.5 mm
 - Damage limits: 30 Hz, amplitude 1.5 mm
- Shock Resistance
 - Operating extremes: 100 m/s² (10G)
 - Damage limits: 1,000 m/s² (100G)

CONTACT RATINGS

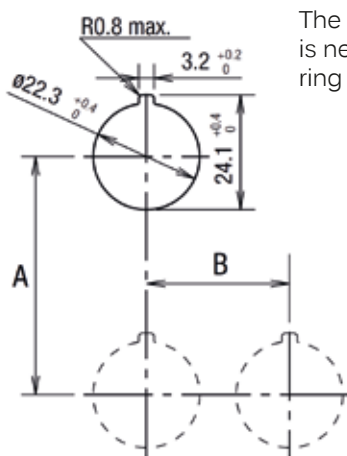
Rated Insulation Voltage		600V			
Rated Thermal Current		10A			
Operating Voltage		24V	120V	240V	380V
AC 50/60 Hz	Resistive Load (AC-12)	10A	10A	6A	2A
	Inductive Load (AC-15)	10A	6A	3A	1.9A
DC	Resistive Load (DC-12)	8A	2.2A	1.1A	-
	Inductive Load (DC-13)	4A	1.1A	0.55A	-

APPLICABLE STANDARDS



- UL508, CSA C22.2 No. 14
- EN 60947-1,
- EN 60947-5-1
- GB 14048.5

MOUNTING HOLE LAYOUT



The 3.2-mm-wide key recess is necessary when the anti-rotation ring is used.

Unit	A (mm)	B (mm)
Pushbutton Selector switch Key selector switch	50 min.	30 min.
Mushroom pushbutton	50 min.	40 min.
Pilot light (with removable lamp terminal)	30 min.*	30 min.
Pilot light (unibody)	50 min.	30 min.

* Keep a minimum spacing of 50 mm when using a lamp of over 1W.

CONTACT BLOCKS

- 1NO



- 1NC



- 2NO



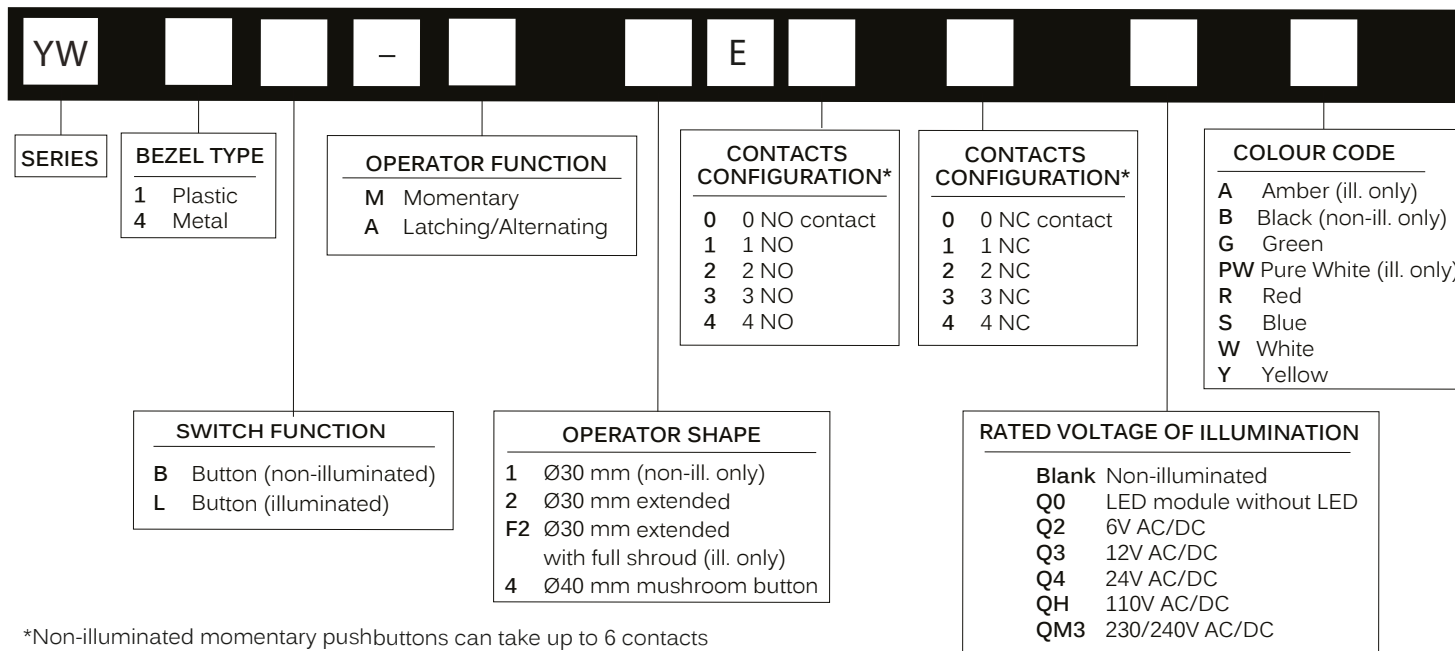
- 2NC



- 1NO + 1NC

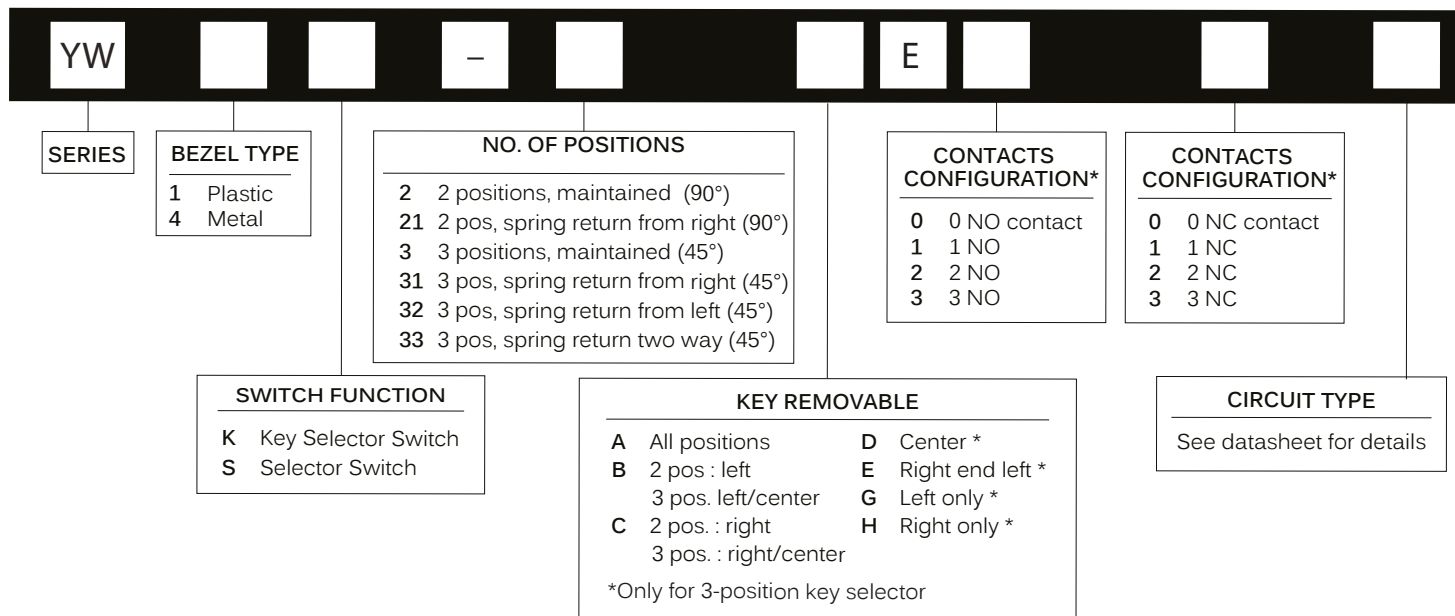


PUSHBUTTONS

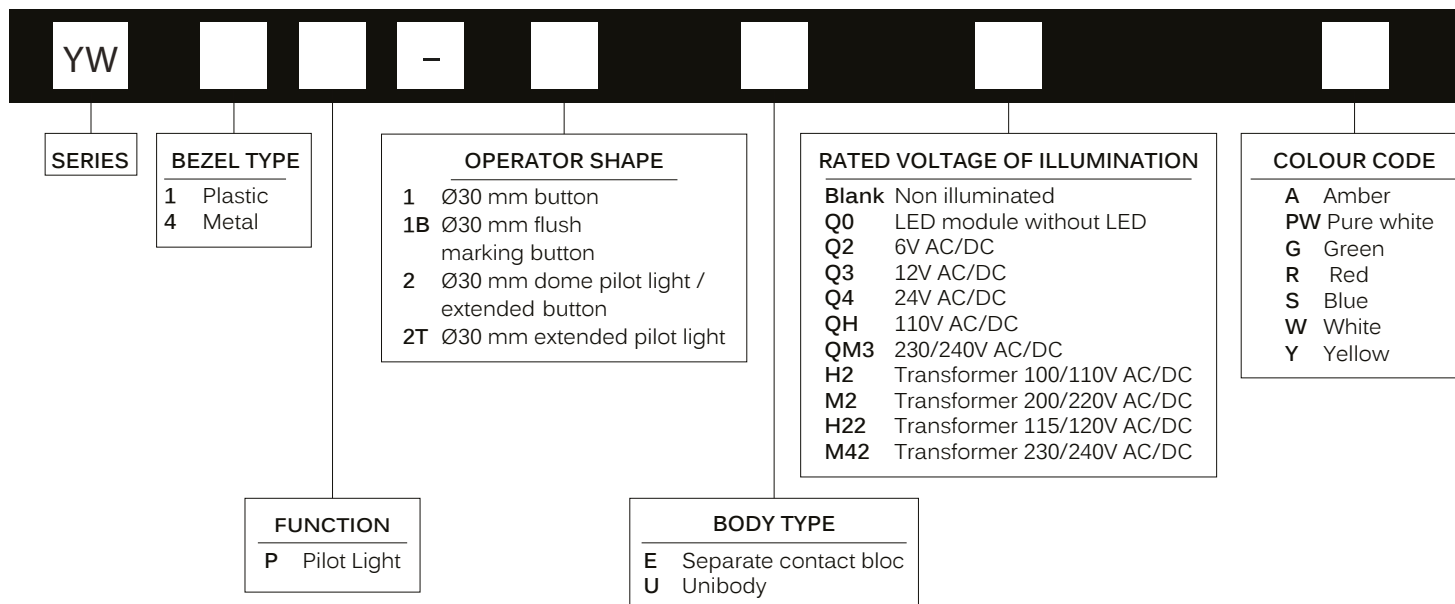


*Non-illuminated momentary pushbuttons can take up to 6 contacts

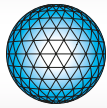
SELECTOR SWITCHES



PILOT LIGHTS



Please note that not all combinations of above numbers are available. Refer to the datasheet for further information.



APEM
an IDEC company



Think Automation and beyond...

ABOUT IDEC



420 M€
TURNOVER



3 900
EMPLOYEES



70 YEARS OLD



100 000+
REFERENCES

IDEC main product families

- LED Machine lighting
- Automation & Sensing
- Safety
- Switch & Control

IDEC products are essential

Best-in-class products

Field-proven and reliable products

Environment-friendly

Long-lasting and efficient products

Enhanced safety

Original solutions

Standardisation committee



ERMEC, S.L. BARCELONA
C/ Francesc Teixidó, 22
08918 Badalona SPAIN

Tel. +34 902 450 160
info@ermec.com
www.ermec.com

ERMEC, S.L. - MADRID
C/ Puerto Rico, 4
28222 Majadahonda (Madrid) SPAIN

bilbao@ermec.com
portugal@ermec.com

Benelux B: (+32) 27 25 05 00 - sales@apem.be
NL: (+31) (70) 799 91 51 - sales@apem.be
France (+33) 5 63 93 14 98 - commercial@apem.fr
Germany Munich: (+49) 89 45 99 11 0 - info@apem.de
Hamburg: (+49) 40 253054 0 - info@apem.de
Italy (+39) 0172 74 3170 - apem.italia@apem.it
Sweden (+46) 8 626 38 00 - info@apem.se
United Kingdom (+44) 1 844 202400 - sales@apem.co.uk