

U6630-002

AC Blowers

Characteristics:

High Power AC Blower

Specifications:

Dimensions	: Ø 105.0 X 131.0 mm
Type	: Bypass
Input Voltage	: 230.0 V AC
Air Power @ open	: 33.00 W
Air Power @ 19mm orifice	: 199.00 W
Air Flow @ open (l/sec)	: 43.0 l/sec
Vacuum	: 1454 mm H ₂ O
Speed @ open	: 30005 rpm
Speed @ 19mm orifice	: 31276 rpm
Speed @ seal	: 35820 rpm
Maximum Efficiency	: 29 %
Life (typical)	: 300 hr
Life Test Condition	: 14.5 min ON / 0.5 min OFF at 15.8 mm Orifice
Weight	: 1035 g
Operation Temperature	: -10 to 55 °C
Storage Temperature	: -20 to 80 °C
Electrical Connection	: Leadwire
Certification	: CE
Vacuum @ Seal	: 10 mm H ₂ O
Air Speed @ 19mm	: 2222.00 rpm



Performance Data:

	Max Efficiency	Open	Seal
Current (A)	3.20	3.40	2.50
Efficiency (%)	29	4	-
Output Power (W)	-	769.00	569.00
Speed (rpm)	31276	30005	35820
Vacuum (mm H ₂ O)	970	80	1453

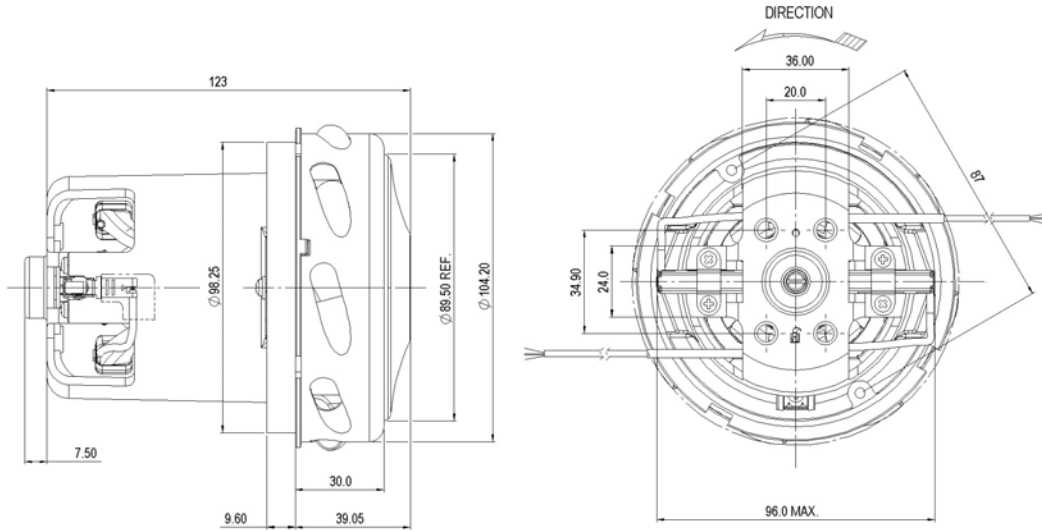
Application Examples:

Leaf Blowers, Extractors, Large Vacuum Cleaners, Floor Care

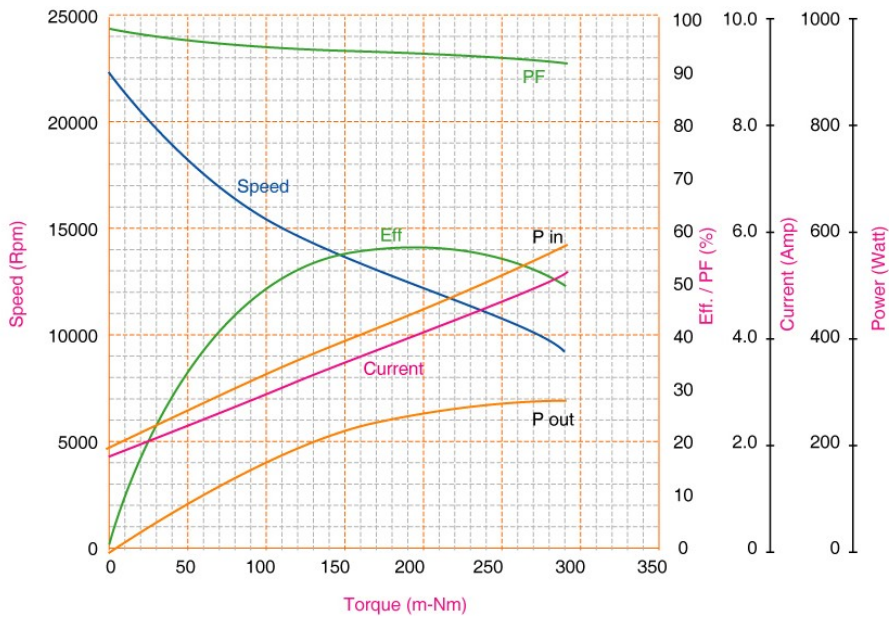
U6630-002

AC Blowers

Drawing:



Performance Curves:



Units in Metric

Characteristics:

High Power, Long Life AC Blower

Specifications:

Dimensions	: Ø 115.0 X 121.0 mm
Type	: Through-flow
Input Voltage	: 120.0 V AC
Air Power @ open	: 19.00 W
Air Power @ 19mm orifice	: 503.00 W
Air Flow @ open (l/sec)	: 49.0 l/sec
Vacuum	: 2715 mm H ₂ O
Speed @ open	: 38163 rpm
Speed @ 19mm orifice	: 40851 rpm
Speed @ seal	: 48979 rpm
Maximum Efficiency	: 46 %
Operation Temperature	: 2 to 50 °C
Storage Temperature	: -20 to 50 °C
Electrical Connection	: leadwire
Frequency	: 60 Hz
Vacuum @ Seal	: 2715 mm H ₂ O



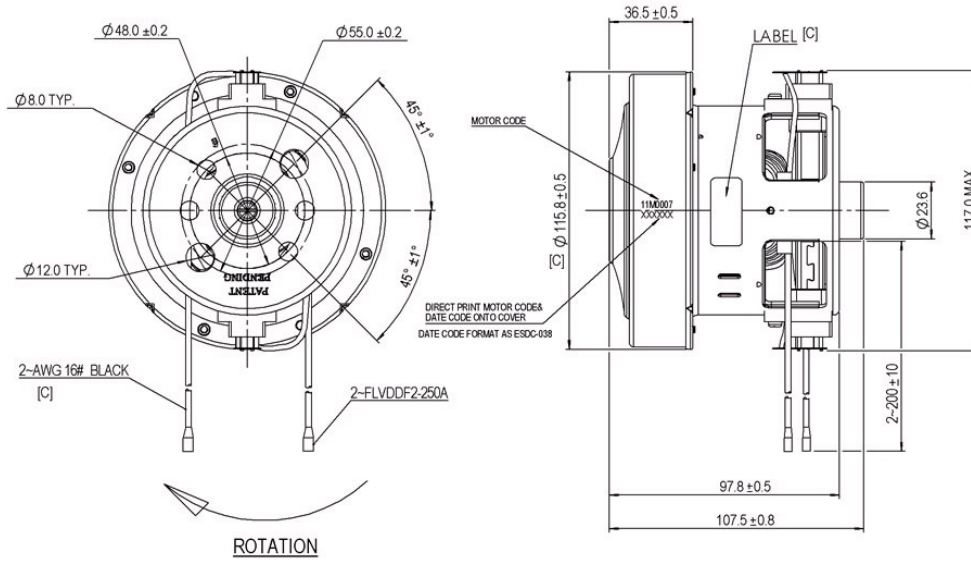
Performance Data:

	Max Efficiency	Open	Seal
Current (A)	9.13	10.76	6.25
Efficiency (%)	46	-	-
Output Power (W)	503.00	19.00	-
Speed (rpm)	40851	38163	48979
Vacuum (mm H ₂ O)	1812	40	2715

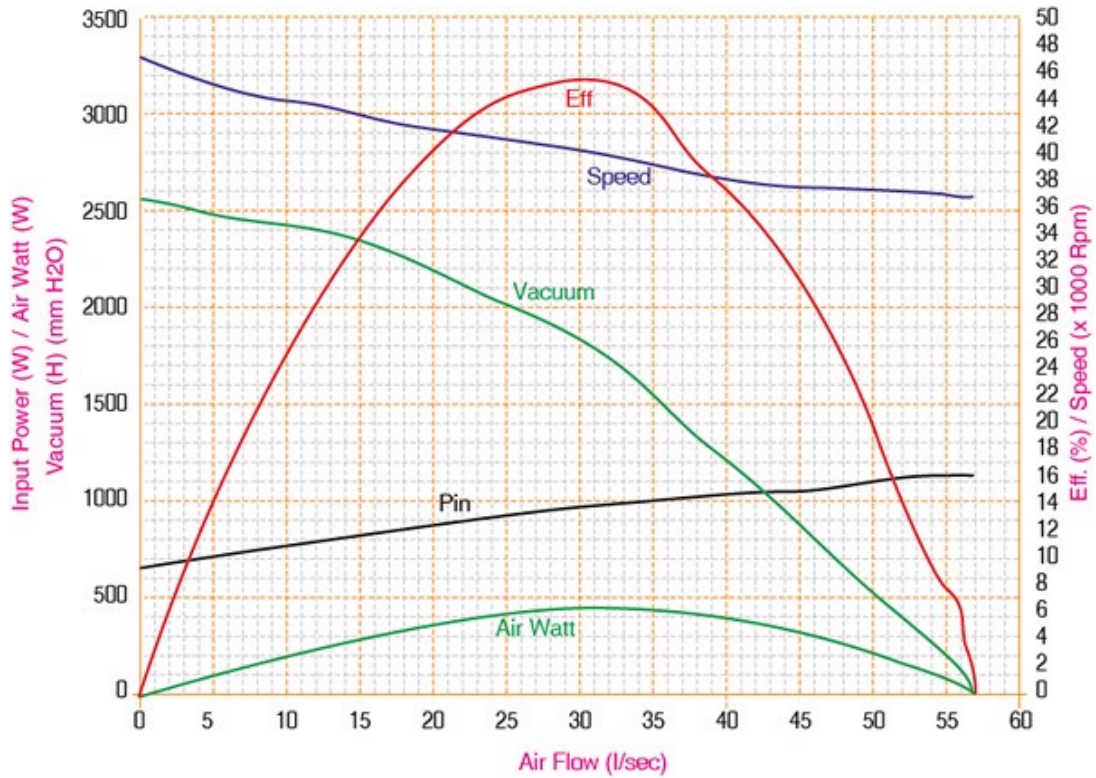
Application Examples:

Large Vacuum Cleaners

Drawing:



Performance Curves:



Units in Metric

Characteristics:

High Power, Long Life AC Blower

Specifications:

Dimensions	: Ø 130.5 X 172.4 mm
Type	: Through-flow
Input Voltage	: 120.0 V AC
Air Power @ open	: 49.00 W
Air Power @ 19mm orifice	: 430.00 W
Air Flow @ open (l/sec)	: 67.0 l/sec
Vacuum	: 2275 mm H ₂ O
Speed @ open	: 27740 rpm
Speed @ 19mm orifice	: 29800 rpm
Speed @ seal	: 35500 rpm
Maximum Efficiency	: 39 %
Life (typical)	: 300 hr
Life Test Condition	: 8 min ON / 2 min OFF at 22.2 mm Orifice
Weight	: 1343 g
Operation Temperature	: -10 to 55 °C
Storage Temperature	: -20 to 80 °C
Electrical Connection	: Leadwire
Certification	: UL, E60303



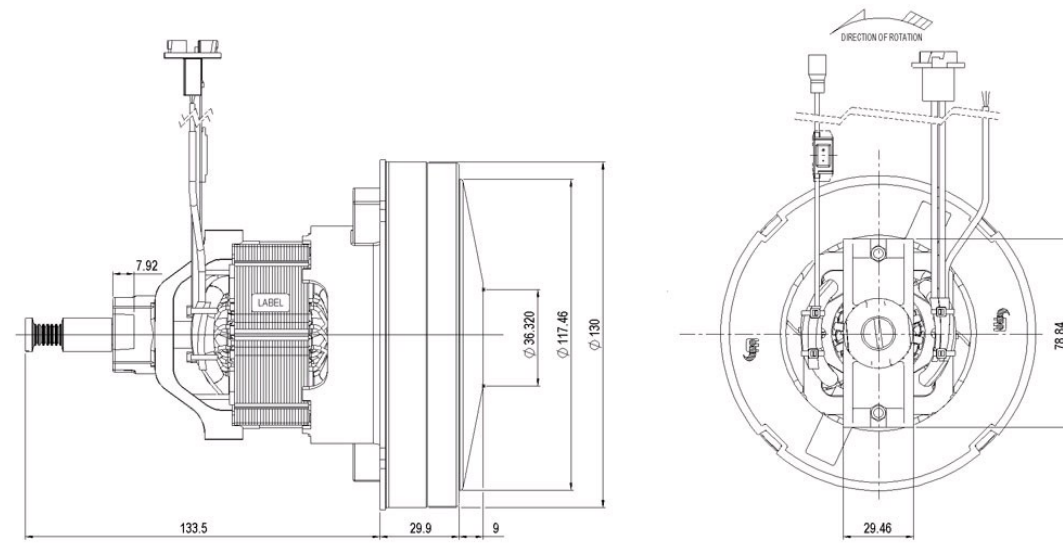
Performance Data:

	Max Efficiency	Open	Seal
Current (A)	9.95	10.02	5.70
Efficiency (%)	39	4	-
Output Power (W)	1181.00	1185.00	691.00
Speed (rpm)	29250	27740	35500
Vacuum (mm H ₂ O)	1398	76	2304

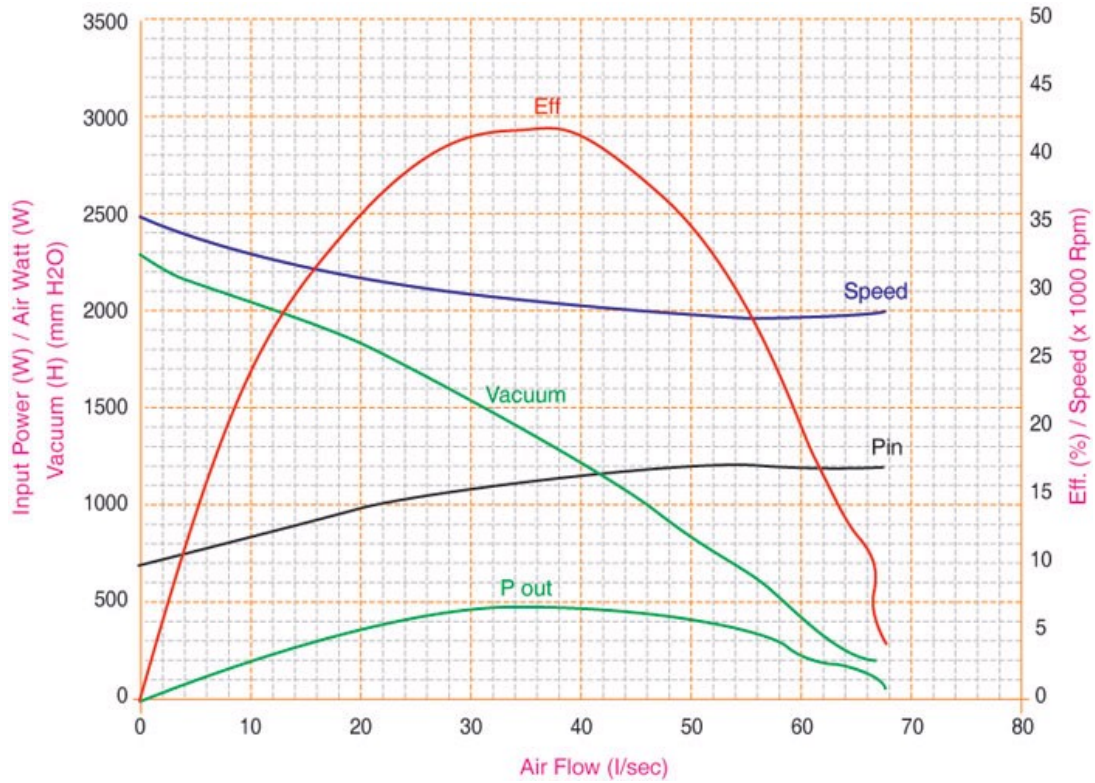
Application Examples:

Large Vacuum Cleaners

Drawing:



Performance Curves:



Units in Metric

Characteristics:

High Power AC Blower

Specifications:

Dimensions	: Ø 131.5 X 120.2 mm
Type	: Through-flow
Input Voltage	: 120.0 V AC
Air Power @ open	: 38.00 W
Air Power @ 19mm orifice	: 469.00 W
Air Flow @ open (l/sec)	: 61.2 l/sec
Vacuum	: 2824 mm H ₂ O
Speed @ open	: 32600 rpm
Speed @ 19mm orifice	: 33720 rpm
Speed @ seal	: 42713 rpm
Maximum Efficiency	: 40 %
Life (typical)	: 350 hr
Life Test Condition	: 8 min ON / 2 min OFF at 19 mm Orifice
Weight	: 1445 g
Operation Temperature	: -10 to 55 °C
Storage Temperature	: -20 to 80 °C
Electrical Connection	: Leadwire
Certification	: UL, E60303



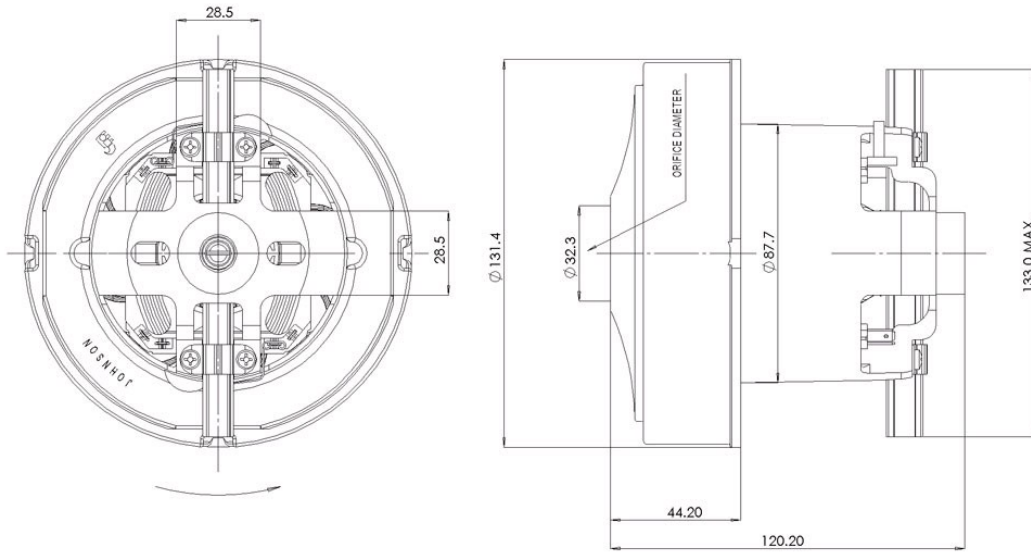
Performance Data:

	Max Efficiency	Open	Seal
Current (A)	10.00	10.50	6.86
Efficiency (%)	40	3	3
Output Power (W)	1172.00	1228.00	811.00
Speed (rpm)	33400	32615	42713
Vacuum (mm H ₂ O)	1730	61	2824

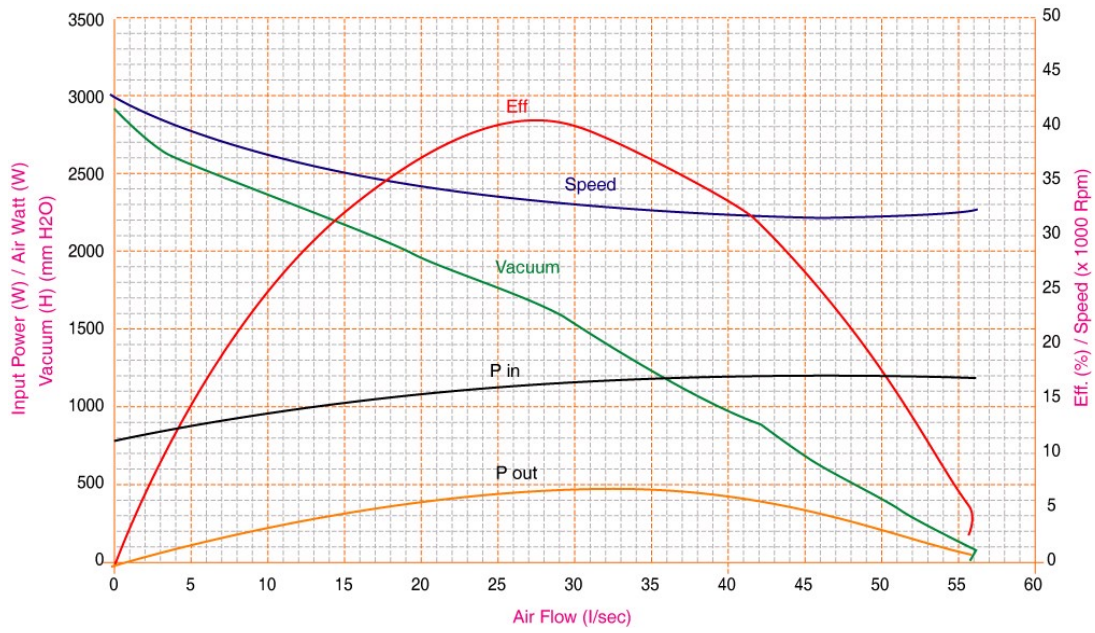
Application Examples:

Large Vacuum Cleaners

Drawing:



Performance Curves:



Units in Metric

Characteristics:

High Power AC Blower

Specifications:

Dimensions	: Ø 132.0 X 121.0 mm
Type	: Through-flow
Input Voltage	: 120.0 V AC
Air Power @ open	: 16.30 W
Air Power @ 19mm orifice	: 212.70 W
Air Flow @ open (l/sec)	: 46.4 l/sec
Speed @ open	: 24500 rpm
Speed @ 19mm orifice	: 25000 rpm
Speed @ seal	: 32200 rpm
Maximum Efficiency	: 43 %
Life (typical)	: 1000 hr
Life Test Condition	: 19mm orifice, 20s ON / 8s OFF
Weight	: 1430 g
Operation Temperature	: -10 to 55 °C
Storage Temperature	: -20 to 100 °C
Electrical Connection	: Lead wire
Vacuum @ Seal	: 1837 mm H ₂ O
Air Speed @ 19mm	: 266.00 km/h



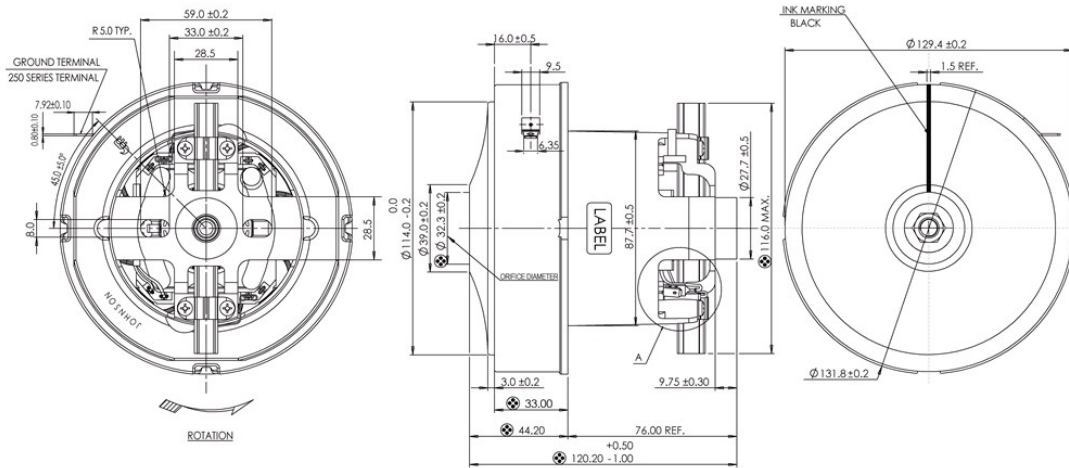
Performance Data:

	Max Efficiency	Open	Seal
Current (A)	4.35	4.40	3.30
Efficiency (%)	43	3	-
Output Power (W)	212.00	-	-
Speed (rpm)	25000	24500	32200
Vacuum (mm H ₂ O)	1013	36	1837

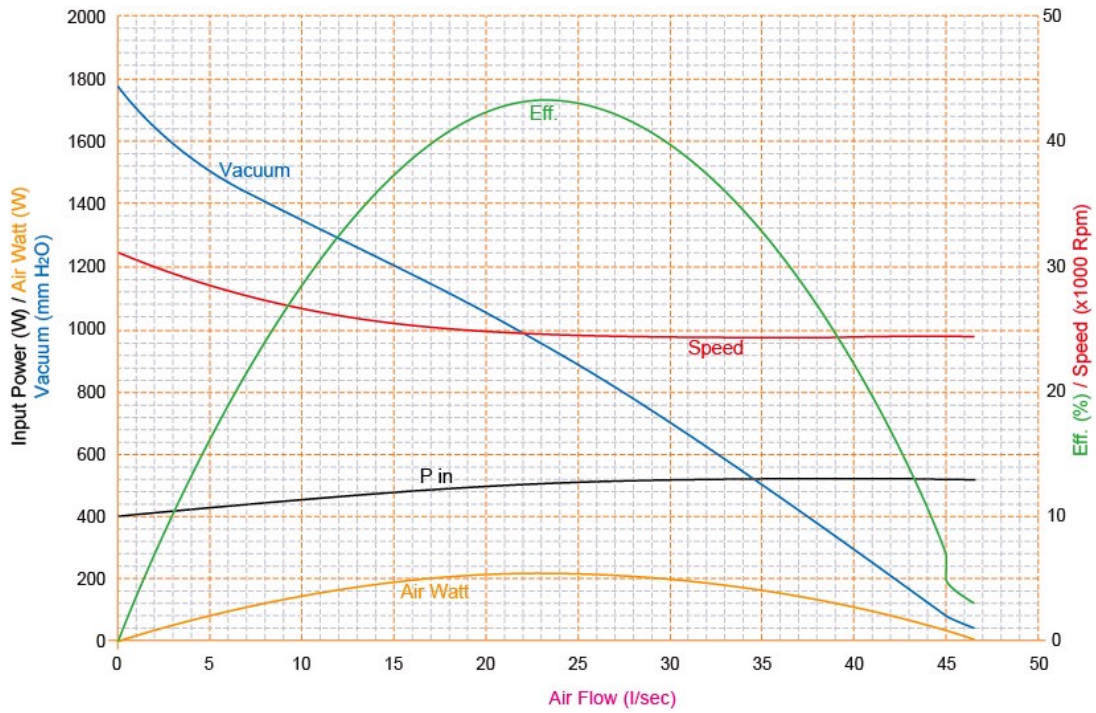
Application Examples:

Hand Dryers

Drawing:



Performance Curves:



Units in Metric

Characteristics:

High Power, Long Life AC Blower

Specifications:

Dimensions	: Ø 132.0 X 121.0 mm
Type	: Through-flow
Input Voltage	: 120.0 V AC
Air Power @ open	: 16.30 W
Air Power @ 19mm orifice	: 212.70 W
Air Flow @ open (l/sec)	: 46.4 l/sec
Speed @ open	: 24500 rpm
Speed @ 19mm orifice	: 25000 rpm
Speed @ seal	: 32200 rpm
Maximum Efficiency	: 43 %
Life (typical)	: 2000 hr
Life Test Condition	: 19mm orifice, 20s ON / 8s OFF
Weight	: 1430 g
Operation Temperature	: -10 to 55 °C
Storage Temperature	: -20 to 100 °C
Electrical Connection	: Lead wire
Vacuum @ Seal	: 1837 mm H ₂ O
Air Speed @ 19mm	: 266.00 km/h



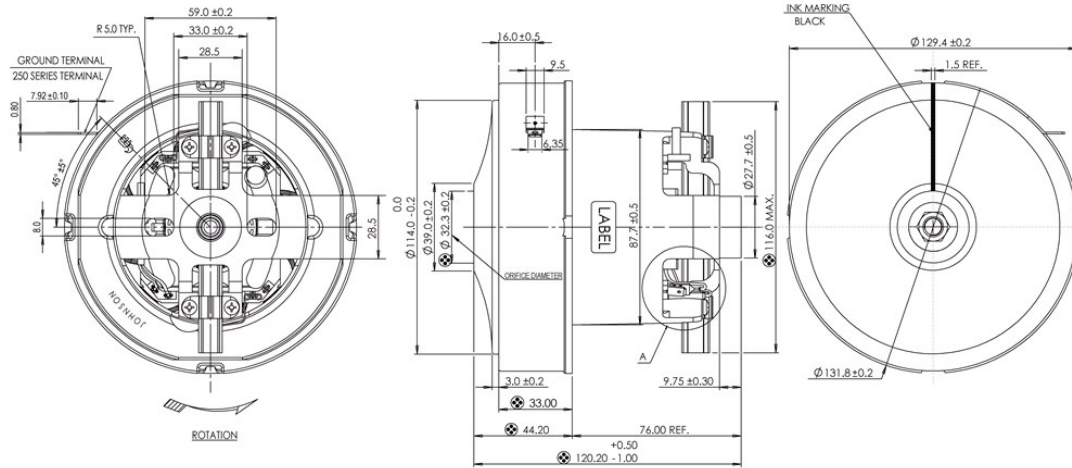
Performance Data:

	Max Efficiency	Open	Seal
Current (A)	4.35	4.40	3.30
Efficiency (%)	43	3	-
Output Power (W)	212.00	-	-
Speed (rpm)	25000	24500	32200
Vacuum (mm H ₂ O)	1013	36	1837

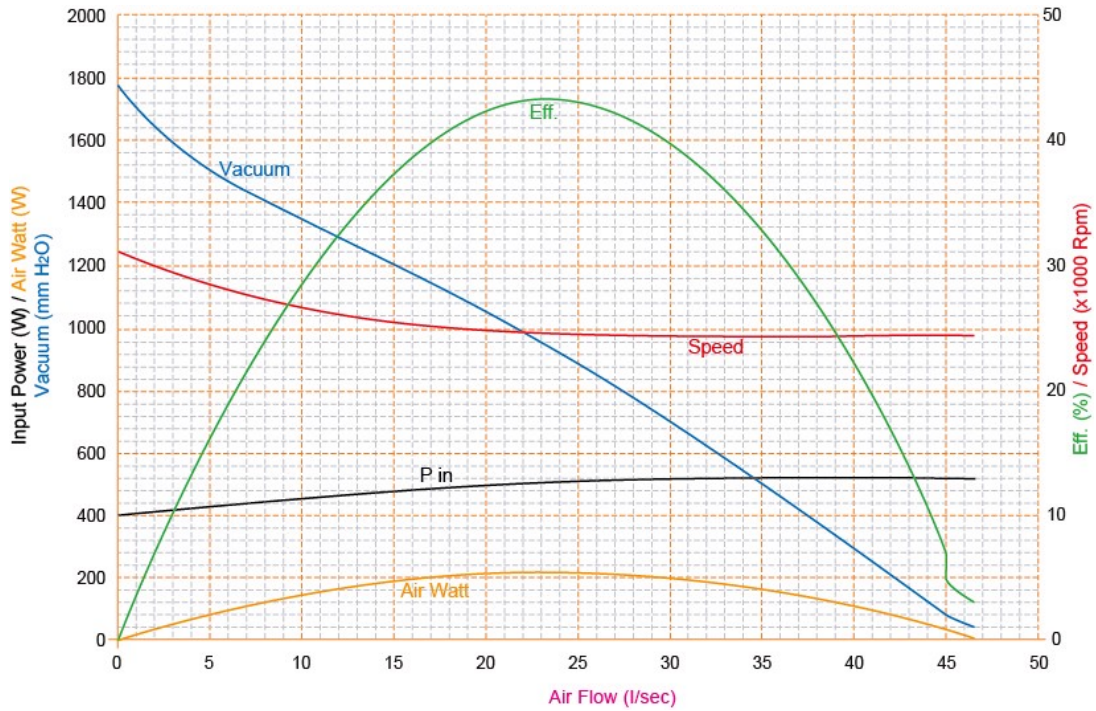
Application Examples:

Hand Dryers

Drawing:



Performance Curves:



Units in Metric

Characteristics:

High Power AC Blower

Specifications:

Dimensions	: Ø 132.0 X 121.0 mm
Type	: Through-flow
Input Voltage	: 230.0 V AC
Air Power @ open	: 30.00 W
Air Power @ 19mm orifice	: 215.30 W
Air Flow @ open (l/sec)	: 45.2 l/sec
Speed @ open	: 24500 rpm
Speed @ 19mm orifice	: 25000 rpm
Speed @ seal	: 31300 rpm
Maximum Efficiency	: 43 %
Life (typical)	: 1000 hr
Life Test Condition	: 19mm orifice, 20s ON / 8s OFF
Weight	: 1430 g
Operation Temperature	: -10 to 55 °C
Storage Temperature	: -20 to 100 °C
Electrical Connection	: Lead wire
Vacuum @ Seal	: 1775 mm H ₂ O
Air Speed @ 19mm	: 266.00 km/h



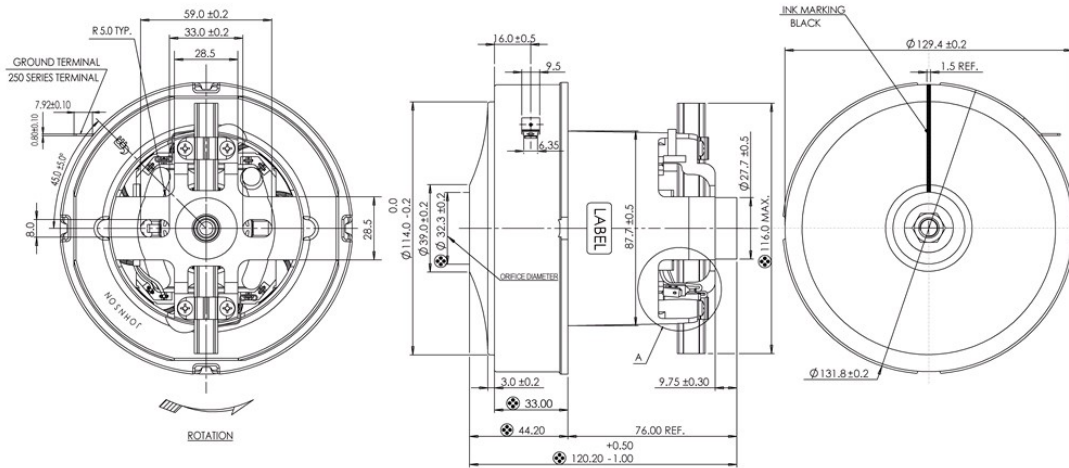
Performance Data:

	Max Efficiency	Open	Seal
Current (A)	2.20	2.30	1.70
Efficiency (%)	43	6	-
Output Power (W)	215.00	-	-
Speed (rpm)	25000	24500	31300
Vacuum (mm H ₂ O)	1023	92	1775

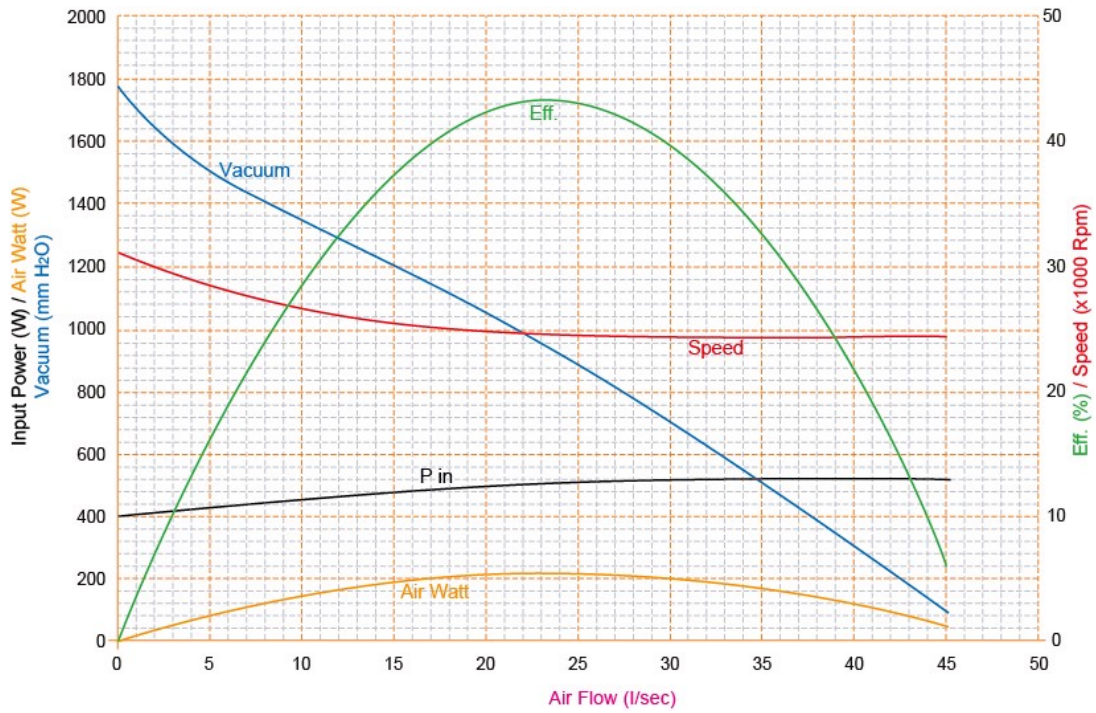
Application Examples:

Hand Dryers

Drawing:



Performance Curves:



Units in Metric

Characteristics:

High Power, Long Life AC Blower

Specifications:

Dimensions	: Ø 132.0 X 121.0 mm
Type	: Through-flow
Input Voltage	: 230.0 V AC
Air Power @ open	: 30.00 W
Air Power @ 19mm orifice	: 215.30 W
Air Flow @ open (l/sec)	: 45.2 l/sec
Speed @ open	: 24500 rpm
Speed @ 19mm orifice	: 25000 rpm
Speed @ seal	: 31300 rpm
Maximum Efficiency	: 43 %
Life (typical)	: 2000 hr
Life Test Condition	: 19mm orifice, 20s ON / 8s OFF
Weight	: 1430 g
Operation Temperature	: -10 to 55 °C
Storage Temperature	: -20 to 100 °C
Electrical Connection	: Lead wire
Vacuum @ Seal	: 1775 mm H ₂ O
Air Speed @ 19mm	: 266.00 km/h



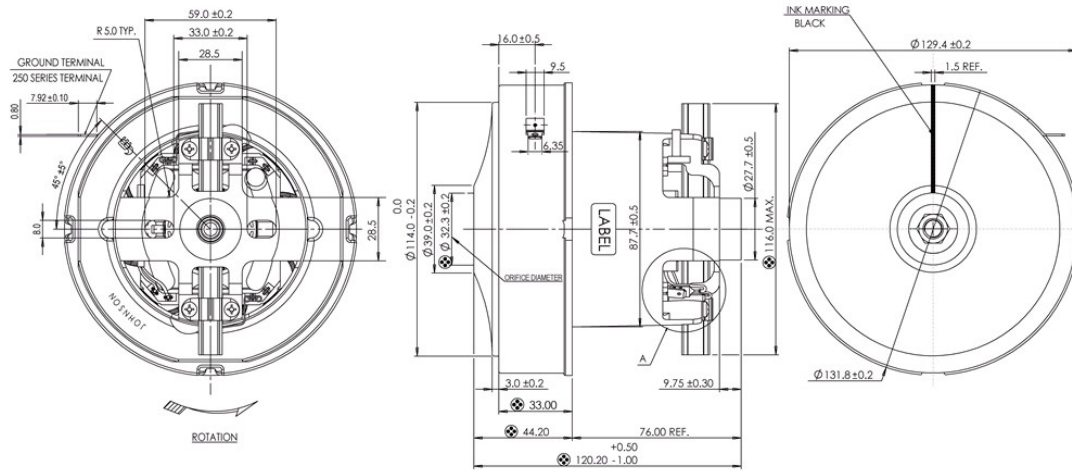
Performance Data:

	Max Efficiency	Open	Seal
Current (A)	2.20	2.30	1.70
Efficiency (%)	43	6	-
Output Power (W)	215.00	-	-
Speed (rpm)	25000	24500	31300
Vacuum (mm H ₂ O)	1023	92	1775

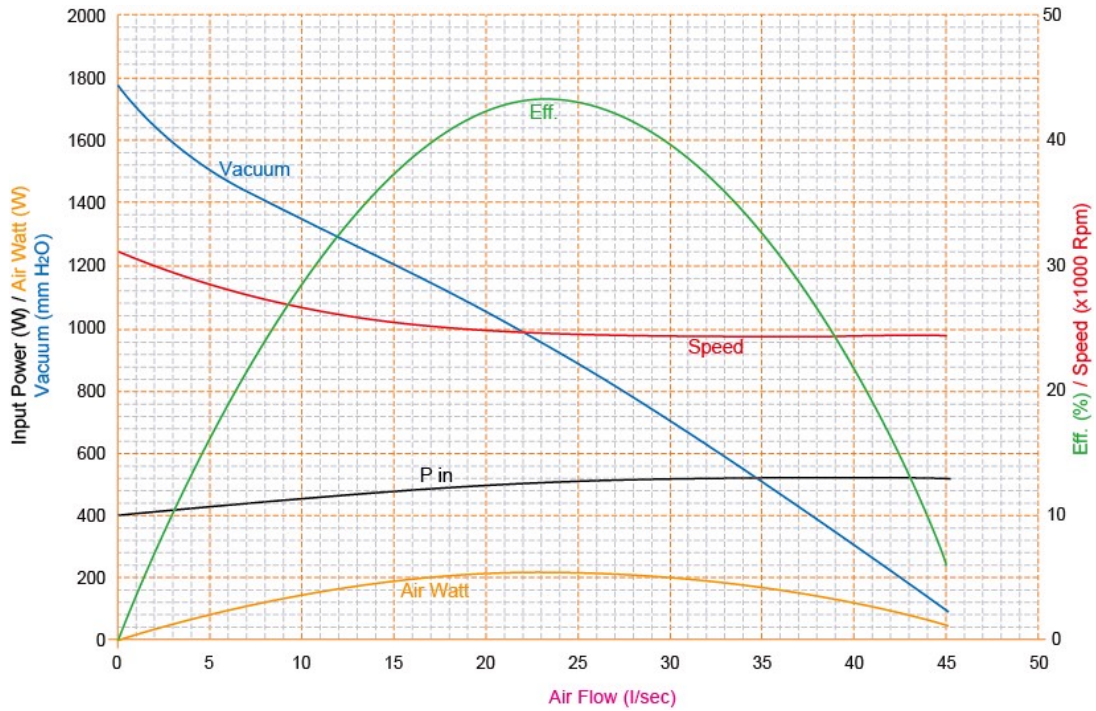
Application Examples:

Hand Dryers

Drawing:



Performance Curves:



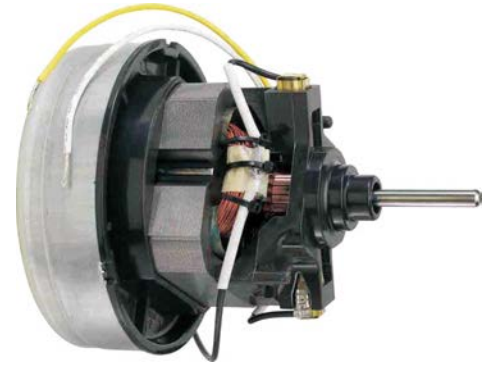
Units in Metric

Characteristics:

High Power, Long Life AC Blower

Specifications:

Dimensions	: Ø 128.4 X 178.1 mm
Type	: Through-flow
Input Voltage	: 120.0 V AC
Air Power @ open	: 52.00 W
Air Power @ 19mm orifice	: 351.70 W
Air Flow @ open (l/sec)	: 67.8 l/sec
Vacuum	: 2230 mm H ₂ O
Speed @ open	: 25485 rpm
Speed @ 19mm orifice	: 28335 rpm
Speed @ seal	: 35371 rpm
Maximum Efficiency	: 30 %
Life (typical)	: 500 hr
Life Test Condition	: 8 min ON / 2 min OFF at 22.2 mm Orifice
Weight	: 1560 g
Operation Temperature	: -10 to 55 °C
Storage Temperature	: -20 to 80 °C
Electrical Connection	: Leadwire
Certification	: UL, E60303



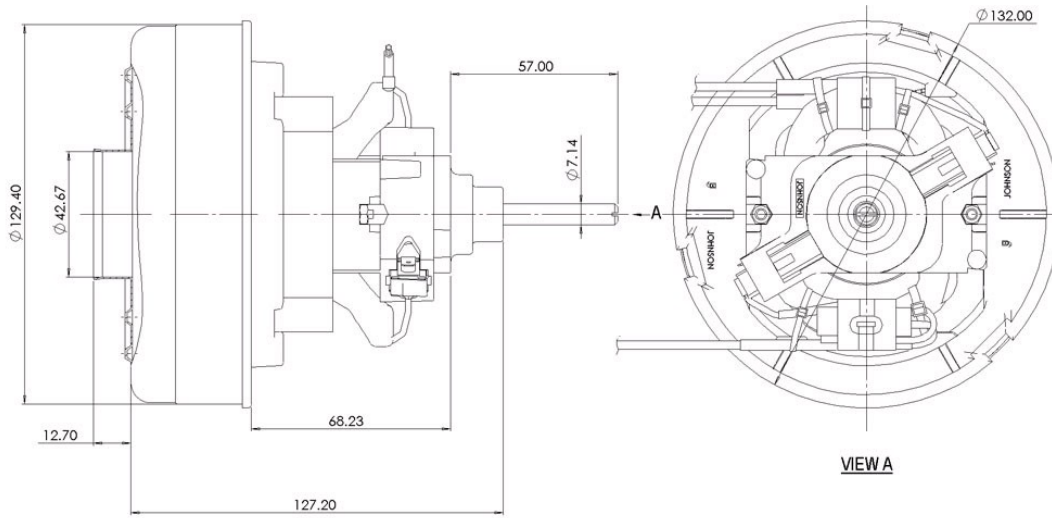
Performance Data:

	Max Efficiency	Open	Seal
Current (A)	10.85	12.37	7.09
Efficiency (%)	30	4	-
Output Power (W)	1287.00	1459.60	856.00
Speed (rpm)	27458	25485	35371
Vacuum (mm H ₂ O)	1235	78	2230

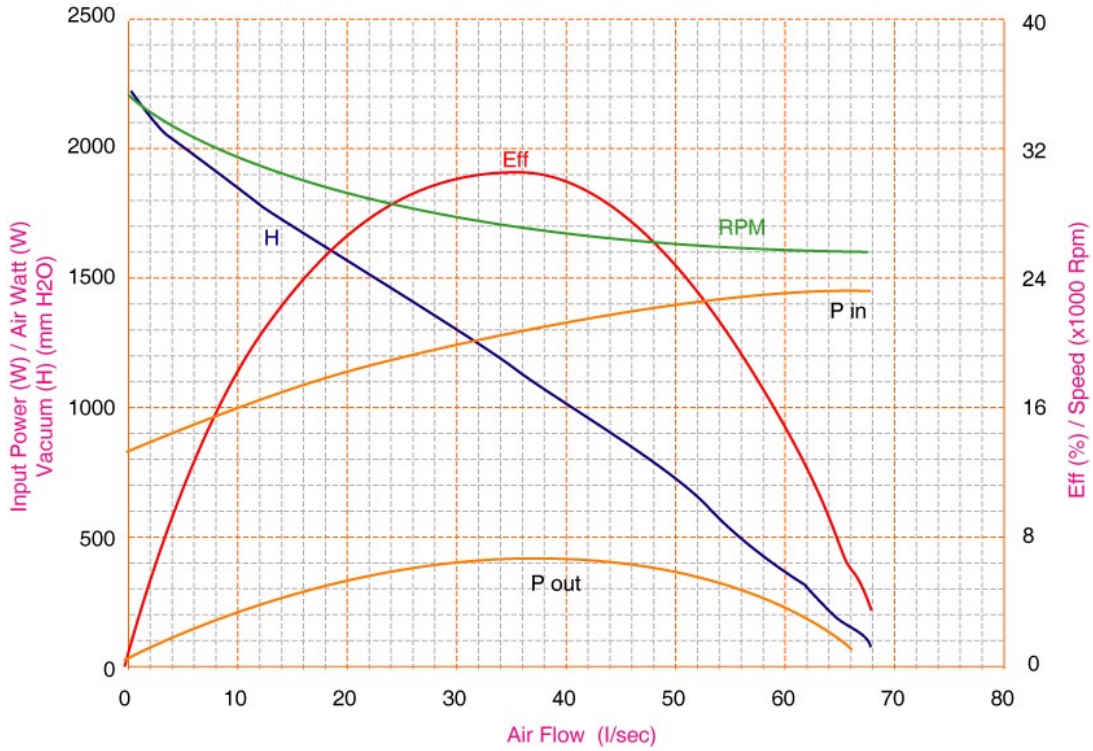
Application Examples:

Large Vacuum Cleaners

Drawing:



Performance Curves:



Units in Metric

U9825-002

AC Blowers

Characteristics:

High Power, Long Life AC Blower

Specifications:

Dimensions	: Ø 144.7 X 134.0 mm
Type	: Bypass
Input Voltage	: 230.0 V AC
Air Power @ open	: 125.00 W
Air Power @ 19mm orifice	: 226.00 W
Air Flow @ open (l/sec)	: 65.6 l/sec
Vacuum	: 1496 mm H ₂ O
Speed @ open	: 23204 rpm
Speed @ 19mm orifice	: 23631 rpm
Speed @ seal	: 26080 rpm
Maximum Efficiency	: 29 %
Life (typical)	: 500 hr
Life Test Condition	: 14.5 min ON / 0.5 min OFF at 15.8 mm Orifice
Weight	: 1810 g
Operation Temperature	: -10 to 55 °C
Storage Temperature	: -20 to 80 °C
Electrical Connection	: Leadwire
Certification	: CE



Performance Data:

	Max Efficiency	Open	Seal
Current (A)	4.80	4.60	3.60
Efficiency (%)	29	12	-
Output Power (W)	1070.90	1040.00	816.00
Speed (rpm)	22603	23204	26080
Vacuum (mm H ₂ O)	710	193	1496

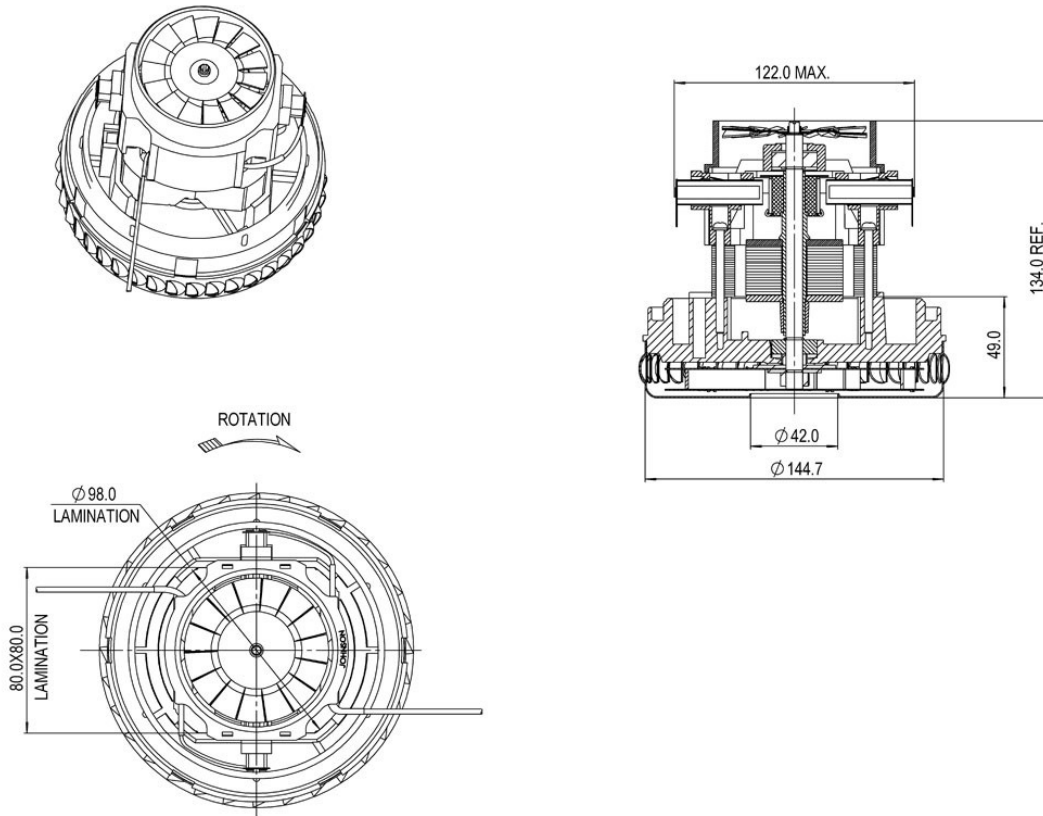
Application Examples:

Large Vacuum Cleaners, Extractors

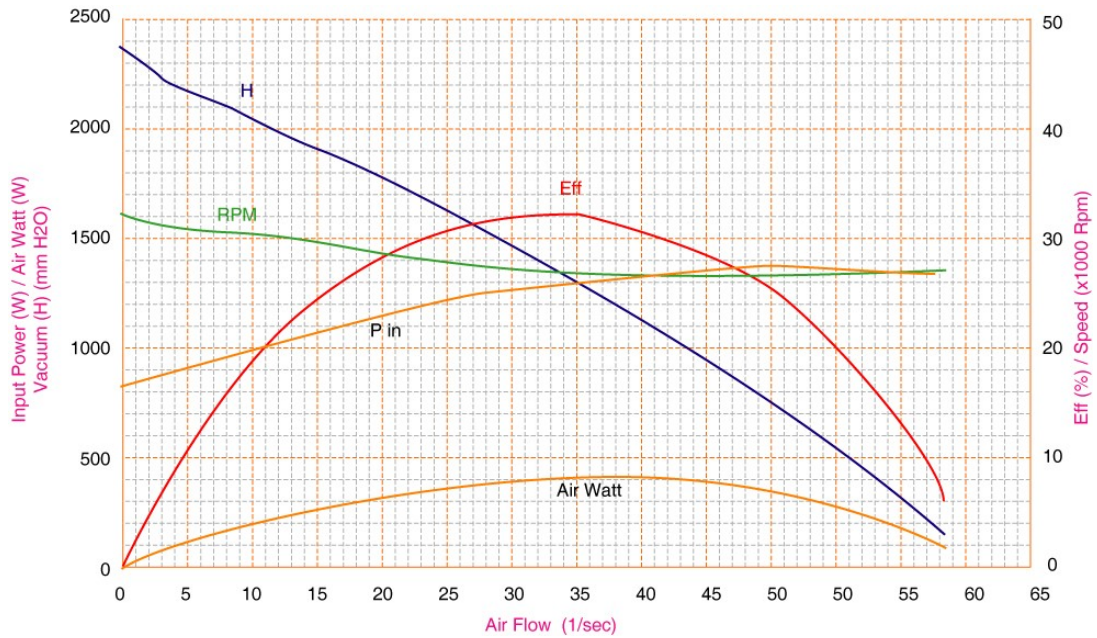
U9825-002

AC Blowers

Drawing:



Performance Curves:



Units in Metric

HC685BL-095-001

DC Blowers

Characteristics:

High Power, High Efficiency, Long Run Time per Charge

Specifications:

Dimensions	: Ø 95.0 X 88.5 mm
Type	: Through-flow
Input Voltage	: 24.0 V DC
Air Flow @ open (l/sec)	: 22.1 l/sec
Vacuum	: 565 mm H ₂ O
Speed @ open	: 20521 rpm
Speed @ 19mm orifice	: 21886 rpm
Speed @ seal	: 23896 rpm
Maximum Efficiency	: 43 %
Weight	: 370 g
Operation Temperature	: 5 to 50 °C
Storage Temperature	: -10 to 80 °C
Electrical Connection	: Terminals
Vacuum @ Seal	: 565 mm H ₂ O



Performance Data:

	Max Efficiency	Open	Seal
Current (A)	4.90	5.54	2.87
Efficiency (%)	43	-	-
Output Power (W)	51.60	1.80	-
Speed (rpm)	21866	20521	23896
Vacuum (mm H ₂ O)	389	8	565

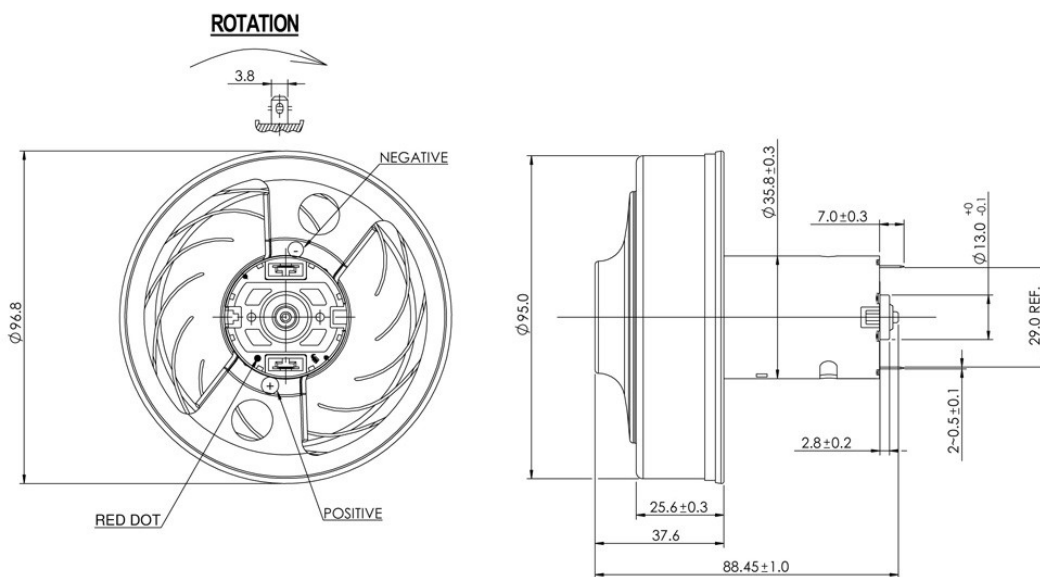
Application Examples:

Hand-held Vacuum Cleaners, Robotic Vacuum Cleaners, Stick Vacuum Cleaners

HC685BL-095-001

DC Blowers

Drawing:



Performance Curves:



Units in Metric

HC785BL-113-001

DC Blowers

Characteristics:

High Power, High Efficiency, Long Run Time per Charge

Specifications:

Dimensions	: Ø 113.0 X 107.0 mm
Type	: Through-flow
Input Voltage	: 18.0 V DC
Air Flow @ open (l/sec)	: 24.8 l/sec
Vacuum	: 810 mm H ₂ O
Speed @ open	: 22170 rpm
Speed @ 19mm orifice	: 22860 rpm
Speed @ seal	: 23990 rpm
Maximum Efficiency	: 46 %
Weight	: 609 g
Operation Temperature	: 5 to 50 °C
Storage Temperature	: -10 to 80 °C
Electrical Connection	: Terminals
Vacuum @ Seal	: 810 mm H ₂ O



Performance Data:

	Max Efficiency	Open	Seal
Current (A)	10.90	12.85	6.55
Efficiency (%)	46	-	-
Output Power (W)	94.00	4.00	-
Speed (rpm)	22860	22170	23990
Vacuum (mm H ₂ O)	567	13	810

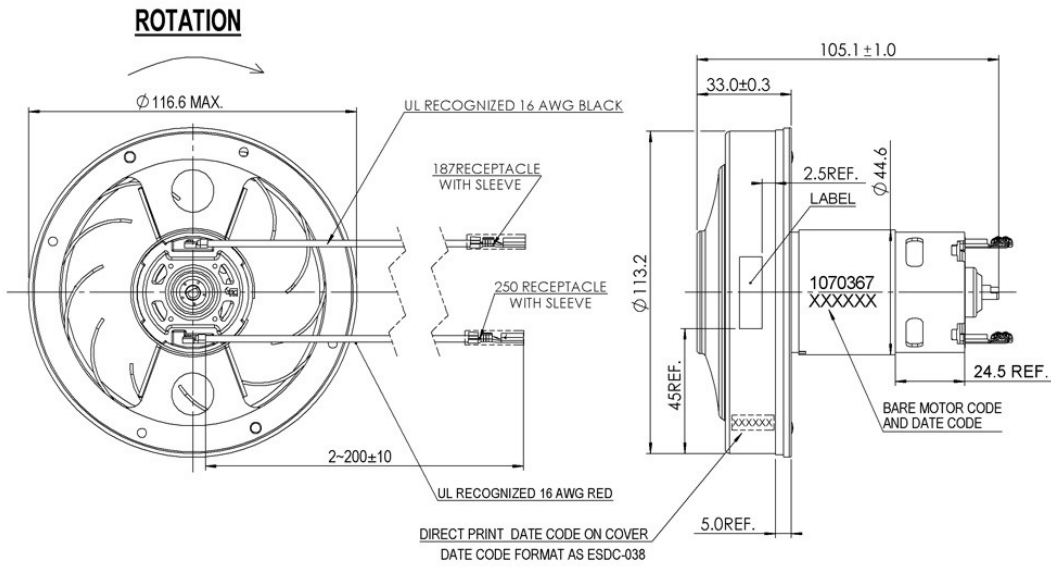
Application Examples:

Hand-held Vacuum Cleaners, Robotic Vacuum Cleaners, Stick Vacuum Cleaners

HC785BL-113-001

DC Blowers

Drawing:



Performance Curves:



Units in Metric

HC877BL-135-001

DC Blowers

Characteristics:

High Power, High Efficiency, Long Run Time per Charge

Specifications:

Dimensions	: Ø 135.0 X 101.5 mm
Type	: Through-flow
Input Voltage	: 32.0 V DC
Air Flow @ open (l/sec)	: 30.0 l/sec
Vacuum	: 750 mm H ₂ O
Speed @ open	: 18300 rpm
Speed @ 19mm orifice	: 18900 rpm
Speed @ seal	: 19800 rpm
Maximum Efficiency	: 43 %
Weight	: 818 g
Operation Temperature	: 5 to 50 °C
Storage Temperature	: -10 to 80 °C
Electrical Connection	: Terminals
Vacuum @ Seal	: 750 mm H ₂ O



Performance Data:

	Max Efficiency	Open	Seal
Current (A)	7.30	8.95	4.40
Efficiency (%)	43	-	-
Output Power (W)	105.00	-	-
Speed (rpm)	18900	18300	19800
Vacuum (mm H ₂ O)	630	-	750

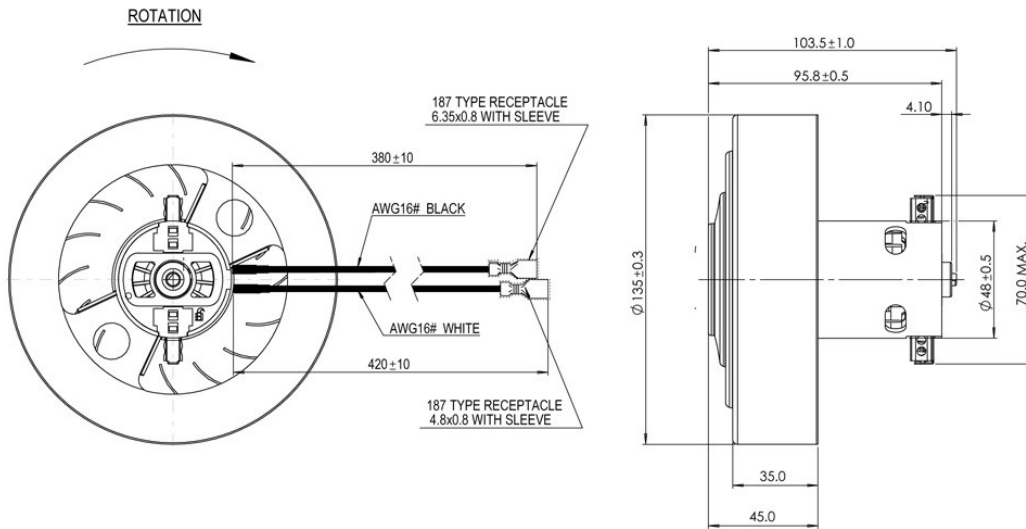
Application Examples:

Hand-held Vacuum Cleaners, Robotic Vacuum Cleaners, Stick Vacuum Cleaners

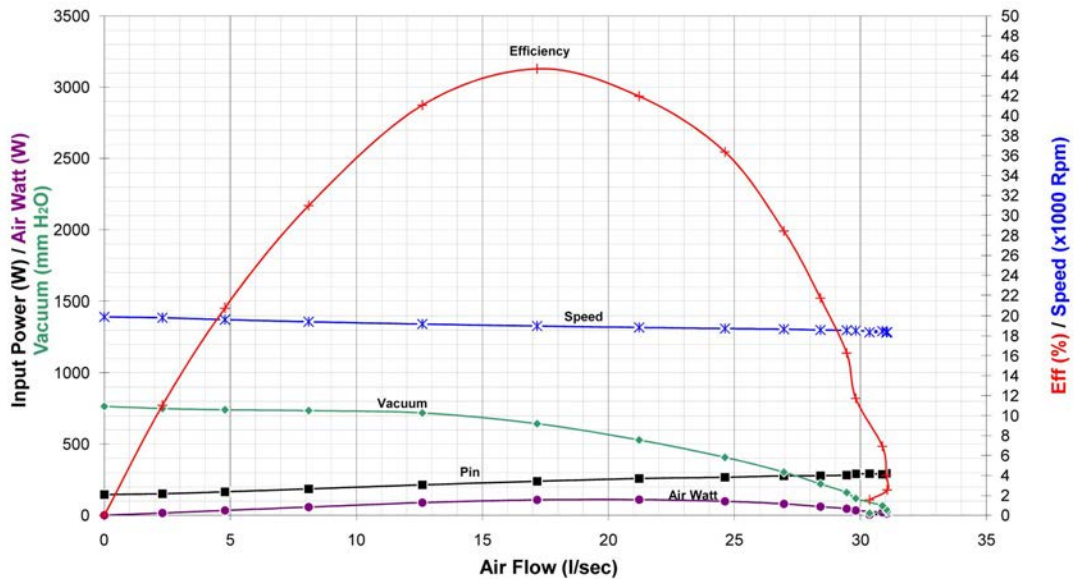
HC877BL-135-001

DC Blowers

Drawing:



Performance Curves:



Units in Metric