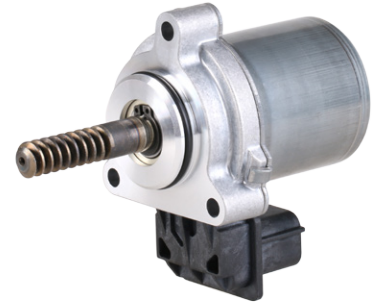


## Characteristics:

High torque; Fast response; Compact Size

## Specifications:

Dimensions	: Ø 51.2 X 83 mm
Shaft Diameter	: Ø 12 mm
Input Voltage	: 12.0 V
No Load Speed	: 4550 rpm
Stall Torque	: 1400 mNm
Maximum Output Power	: 68.0 W
Maximum Efficiency	: 75%
Weight	: 710 g
Operation Temperature	: -40 to 125 °C
Storage Temperature	: -50 to 150 °C



## Performance:

	No Load	Stall	Max Efficiency	Max Power
Current (A)	2.5	60.0	7.5	30.0
Efficiency (%)	-	-	75.0	47.0
Output Power (W)	-	-	68.0	170.0
Speed (rpm)	5000	-	4550	2500
Torque (mNm)	-	1270	140	635

## Application Examples:

e-VVL Camphaser Actuator



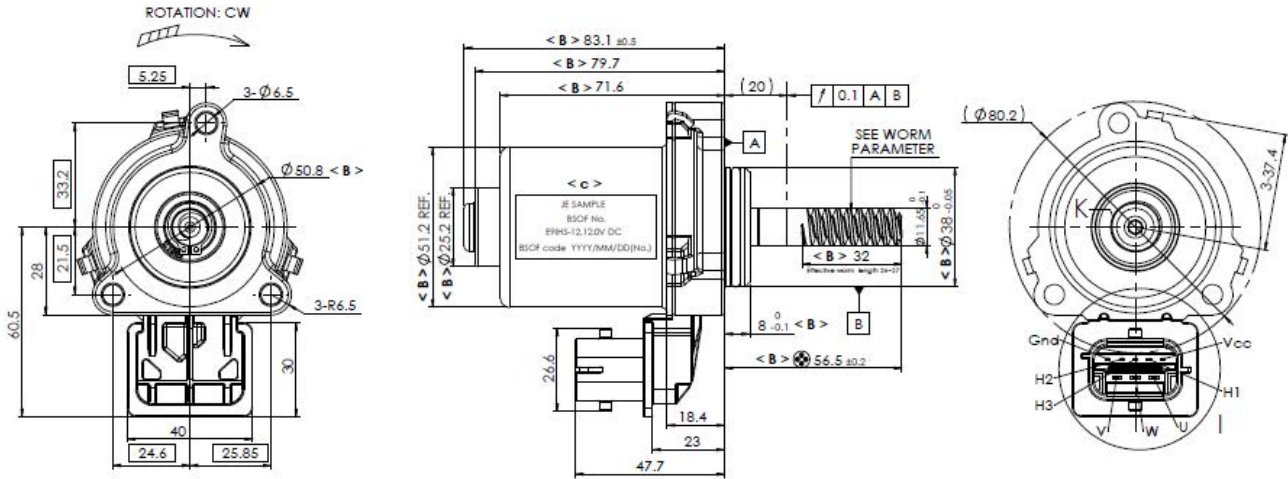
ERMEC, S.L. BARCELONA  
C/ Francesc Teixidó, 22  
08918 Badalona SPAIN

Tel. +34 902 450 160  
info@ermec.com  
www.ermec.com

ERMEC, S.L. - MADRID  
C/ Puerto Rico, 4  
28222 Majadahonda (Madrid) SPAIN

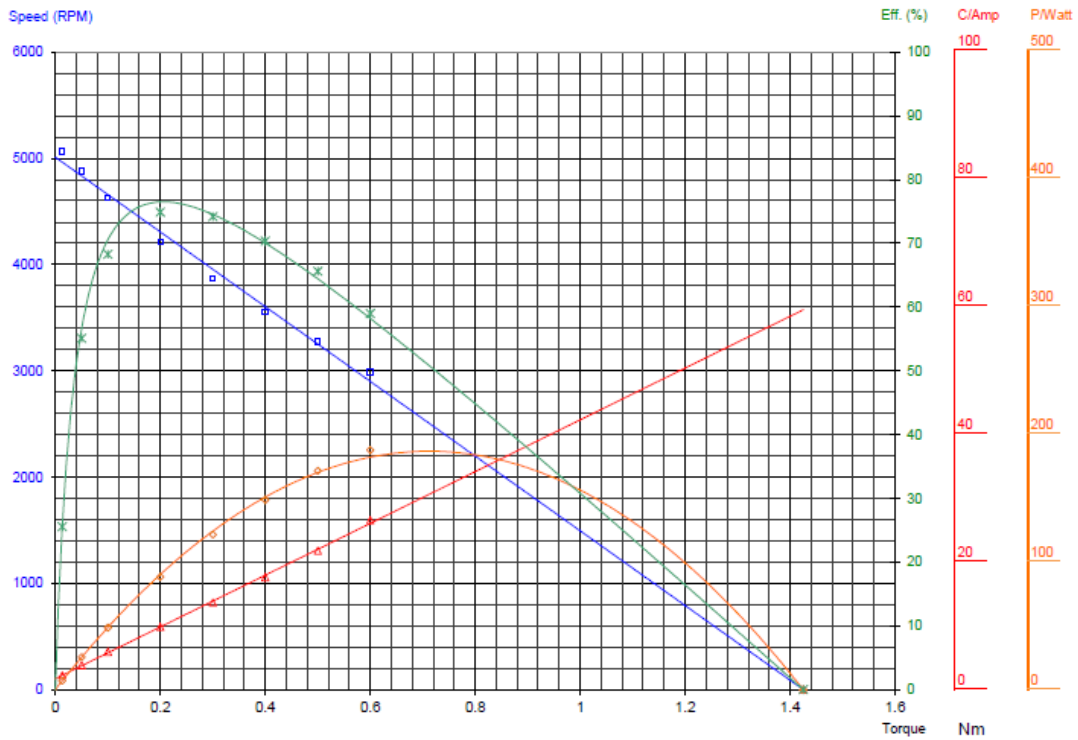
bilbao@ermec.com  
portugal@ermec.com

## Drawing:



Unit in mm

## Performance Curve:



ERMEC, S.L. BARCELONA  
C/ Francesc Teixidó, 22  
08918 Badalona SPAIN

Tel. +34 902 450 160  
info@ermec.com  
www.ermec.com

ERMEC, S.L. - MADRID  
C/ Puerto Rico, 4  
28222 Majadahonda (Madrid) SPAIN

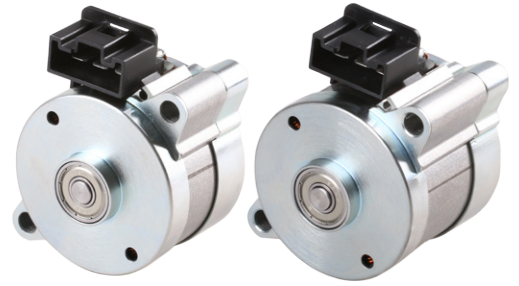
bilbao@ermec.com  
portugal@ermec.com

## Characteristics:

Rare earth magnet; Oil immersible; High efficiency

## Specifications:

Dimensions	: Ø 64 X 54 mm
Shaft Diameter	: Ø 8 mm
Input Voltage	: 12.0 V
No Load Speed	: 3850 rpm
Stall Torque	: 2300 mNm
Maximum Output Power	: 230 W
Maximum Efficiency	: 82%
Weight	: 890 g
Operation Temperature	: -40 to 125 °C
Storage Temperature	: -50 to 150 °C



## Performance:

	No Load	Stall	Max Efficiency	Max Power
Current (A)	1.4	75.0	10	37.0
Efficiency (%)	-	-	82.0	52.0
Output Power (W)	-	-	99.0	230.0
Speed (rpm)	3850	-	3380	1900
Torque (mNm)	-	2300.0	280.0	1150.0

## Application Examples:

Dual Clutch Transmission



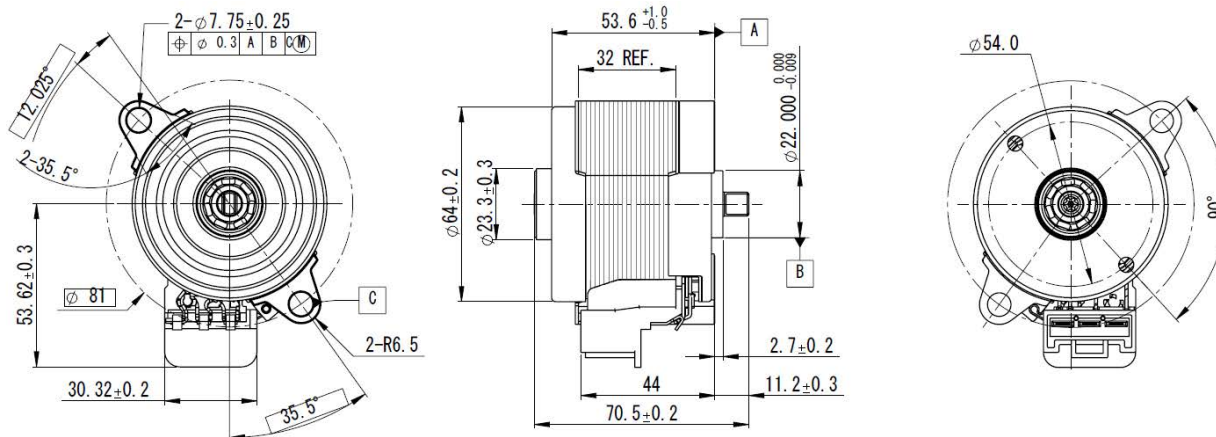
ERMEC, S.L. BARCELONA  
C/ Francesc Teixidó, 22  
08918 Badalona SPAIN

Tel. +34 902 450 160  
info@ermec.com  
www.ermec.com

ERMEC, S.L. - MADRID  
C/ Puerto Rico, 4  
28222 Majadahonda (Madrid) SPAIN

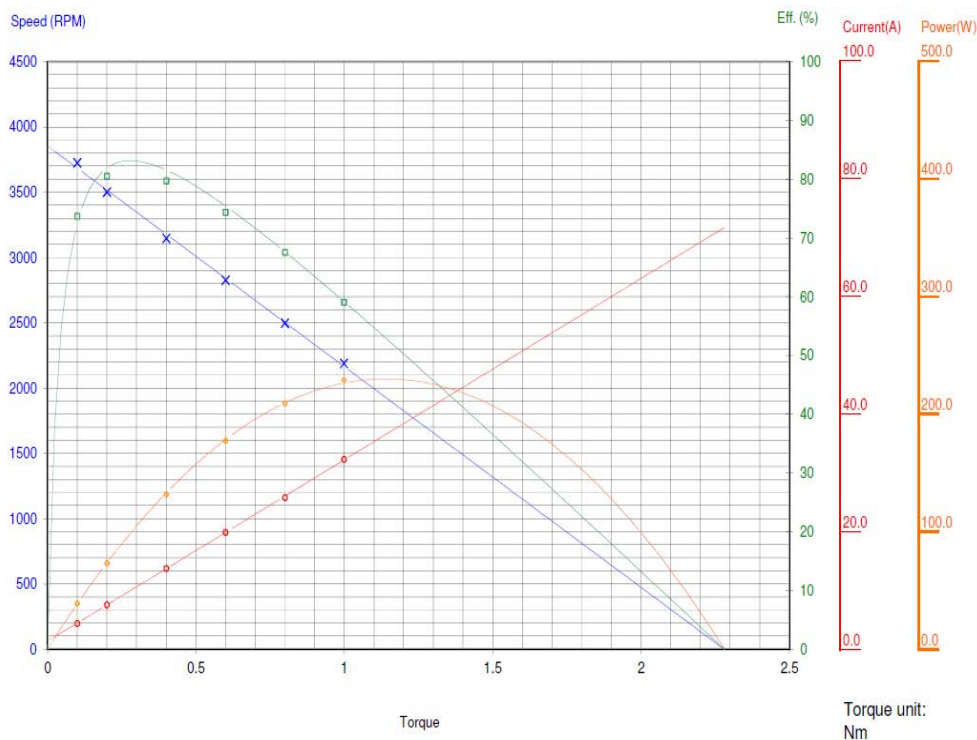
bilbao@ermec.com  
portugal@ermec.com

## Drawing:



Unit in mm

## Performance Curve:



ERMEC, S.L. BARCELONA  
C/ Francesc Teixidó, 22  
08918 Badalona SPAIN

Tel. +34 902 450 160  
info@ermec.com  
www.ermec.com

ERMEC, S.L. - MADRID  
C/ Puerto Rico, 4  
28222 Majadahonda (Madrid) SPAIN

bilbao@ermec.com  
portugal@ermec.com