

# TP2

## TP2

Panel cut-out (mm) Ø16.2 or Ø22.5

- Characteristics
- momentary or latching
  - sealed IP40, IP65 or IP67
  - wide range of bezels
  - with or without illumination
  - NO, NC, CO
  - gold plated single or double pole contact blocks

Rating 250 VAC, 5 A

Dimensions (mm) 18 × 24  
18 × 18  
Ø18  
Ø25

Actuator ■ lenses in different shapes and colors

Approvals UL, CSA, VDE



**ERMEC, S.L. BARCELONA**  
C/ Francesc Teixidó, 22  
08918 Badalona SPAIN

Tel. +34 902 450 160  
info@ermec.com  
www.ermec.com

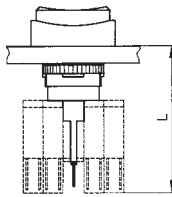
**ERMEC, S.L. - MADRID**  
C/ Puerto Rico, 4  
28222 Majadahonda (Madrid) SPAIN

bilbao@ermec.com  
portugal@ermec.com

## Specifications

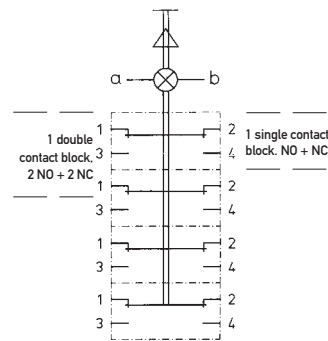
Mechanism	Bi-functional – momentary or latching
Actuating force	Approximately 2.5N – 1 contact block
Mounting	Central fixing with metal lock nut
Protection	IP40, IP65, IP67
Bezel material	Thermoplastic or anodized aluminum alloy
Lens material	Polycarbonate – engravable
Illumination	T1 ¾ midget grooved lamps – incandescent lamps, LEDs, multi LEDs 60 V, 1.2W maximum Lamp contact "b" = cathode (-) Appropriate safety regulations should be respected when using the indicator light.
Temperature range °C	-20°C to +85°C
Mechanical life	10 <sup>6</sup> cycles
Contact block	Slide-on assembly by the user with locking mechanism
Contact block housing	Self-extinguishing duroplastic (UL 94 plus V0)
Terminal material	Silver alloy with 0.2 µm silver plating, 0.4 µm gold plating
Contact resistance	<30 mOhm
Number of contact blocks	User configurable NO or NC types up to a maximum of 2 double contact blocks
Terminals	Solder – suitable for wire diameter 1 × 1.00 mm <sup>2</sup> (braided), 2 × 0.75 mm (stranded) Faston – 2.8 mm × 0.5 mm
Vibration resistance	1.5 mm pp amplitude at 55 Hz

### Dimensions

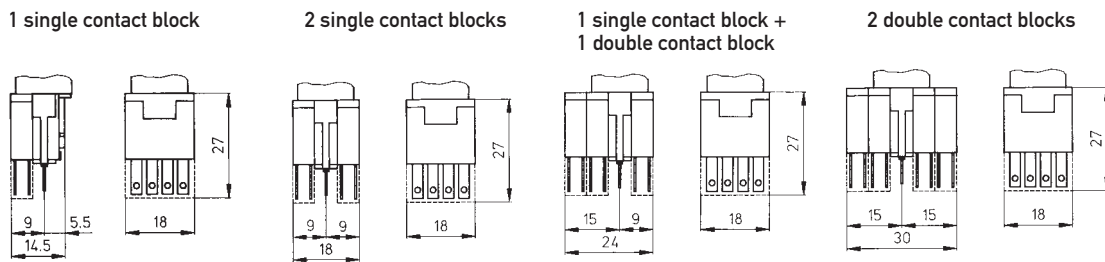


Length in mm (with contact block)	
plastic bezels	43.0
aluminum bezels	42.0
aluminum bezels	50.0
concealed mounting	

### Circuit diagram (2 double contact blocks)



### Contact blocks



## Recommended maximum electrical ratings

Voltage (max)	Resistive load (A)	Inductive load (A)	Approval
250 VAC	5.0 (0.7 pf)	L/R = 15 ms	UL, CSA, VDE - max. admissible circuit breaker C6A
12 VDC	5.0	3.0	General rating
24 VDC	4.0	2.0	General rating
36 VDC	3.0	1.7	General rating
48 VDC	2.0	1.5	General rating
60 VDC	1.5	1.2	General rating
125 VDC	0.5	0.3	General rating
250 VDC	0.3	0.2	General rating



**ERMEC, S.L. BARCELONA**  
C/ Francesc Teixidor, 22, 08918 Badalona, SPAIN  
Tel. +34 902 450 160  
info@ermec.com  
www.ermec.com

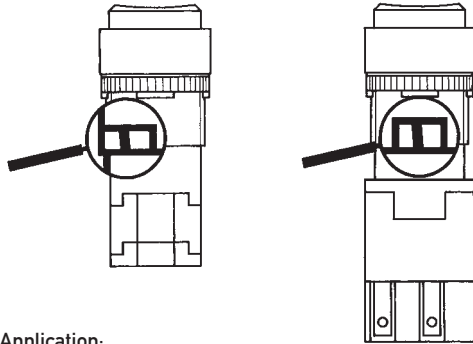
**ERMEC, S.L. - MADRID**  
C/ Puerto Rico, 4  
28222 Majadahonda (Madrid) SPAIN

bilbao@ermec.com  
portugal@ermec.com

# TP2

## Bi-functional selection

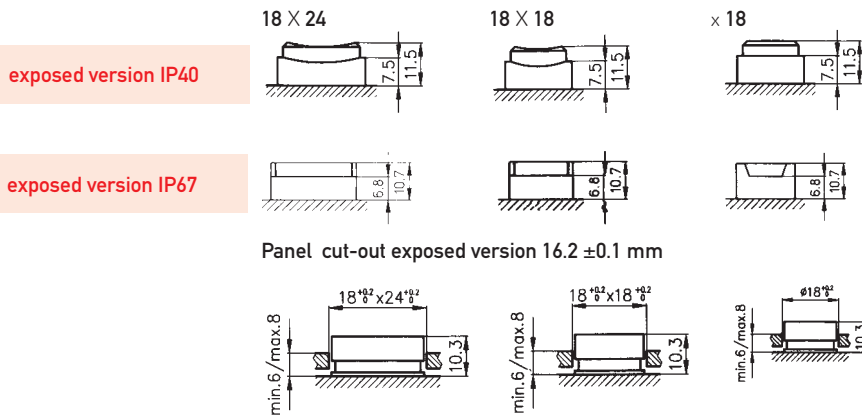
All latching switches in the range incorporate a simple selector mechanism for modifying the function of the switch. This function is not available with momentary switches.



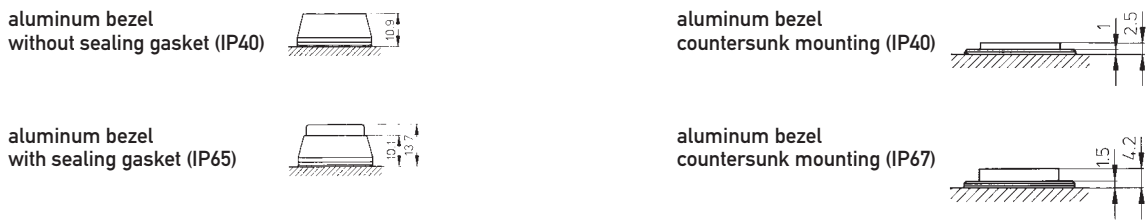
### Application:

When the switch is in the off position the selector mechanism can be moved to the right to obtain a momentary function, or to the left to return to a latching function.

## Plastic bezel and lens heights in mm (switch off position)



## Aluminum bezel Ø25 and lens heights in mm (switch off position)



Panel cut-out 22.5 ±0.1 mm

Front panel thickness	plastic bezel	1.0 mm to 6.5 mm
	aluminum bezel	1.0 mm to 5.0 mm
	countersunk mounting	2.0 mm to 15.0 mm



**ERMEC, S.L. BARCELONA**  
C/ Francisc Teixidó, 22  
08918 Badalona SPAIN

Tel. +34 902 450 160  
info@ermec.com  
www.ermec.com

**ERMEC, S.L. - MADRID**  
C/ Puerto Rico, 4  
28222 Majadahonda (Madrid) SPAIN

[bilbao@ermec.com](mailto:bilbao@ermec.com)  
[portugal@ermec.com](mailto:portugal@ermec.com)