

V4NS

V4NS

- Characteristics
- sealed (IP67)
 - solder, 2,8 mm faston and PCB terminals
 - pre-wired option
 - compliant to glow wire test IEC 60335-1, 4. ed.

Rating 250 VAC, 5 A (3 A prewired UL)

Dimensions (mm) 20 × 10,3 × 6,4

- Actuator
- plunger
 - plain levers
 - roller levers
 - simulated roller lever/cam follower

Approvals UL, CSA, ENEC



Preferred Range

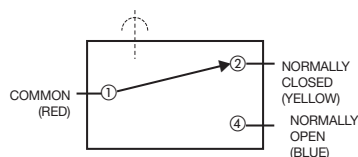
Ordering Reference	Actuating Force (N)	Actuating Force (ozf)	Sealing	Operating pos. (mm)	Operating pos. (in)	Terminal	Circuit	Actuator	Contacts	Electrical rating
V4NST7UL	2,50	9,0	IP67	8,40	0,33	Solder	CO	Plain plunger	Ag	250 VAC, 5 A
V4NSUL	2,50	9,0	IP67	8,40	0,33	Pre-wired	CO	Plain plunger	Ag	250 VAC, 5 A
V4NST7Y1UL	0,90	3,2	IP67	10,6	0,42	Solder	CO	Straight lever	Ag	250 VAC, 5 A
V4NSY1UL	0,90	3,2	IP67	10,6	0,42	Pre-wired	CO	Straight lever	Ag	250 VAC, 5 A
V4NST7YRUL	0,90	3,2	IP67	15,6	0,62	Solder	CO	Roller lever	Ag	250 VAC, 5 A
V4NSYRUL	0,90	3,2	IP67	15,6	0,62	Pre-wired	CO	Roller lever	Ag	250 VAC, 5 A

V4NS

Specifications

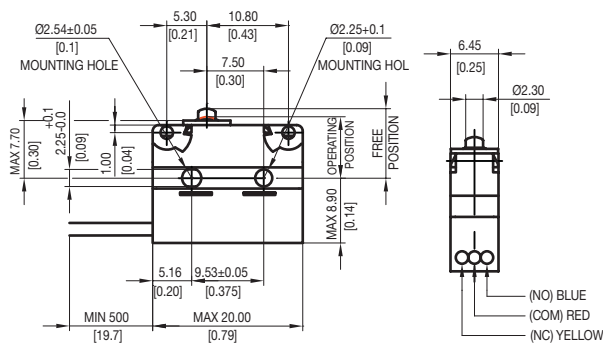
Housing	Flame-retardant glass-fibre reinforced nylon
Plunger	Polyacetal (POM)
Mechanism	Snap-action coil spring mechanism with stainless steel spring
Functions	Change-over, normally closed or normally open
Contacts	Silver
Terminals	Gold flashed
Temperature range °C	-40°C to +85°C
Mechanical life	3 × 10 ⁶ cycles minimum (impact free actuation)
Protection	IP67 enclosure, IP40 Flux proof terminal entries
Actuators	Plain lever, cam follower, Roller lever
Accessories	Insulating sheet - N04619, Clip-on terminal cover - TC102, Long overtravel actuator - QA4

Circuit diagram

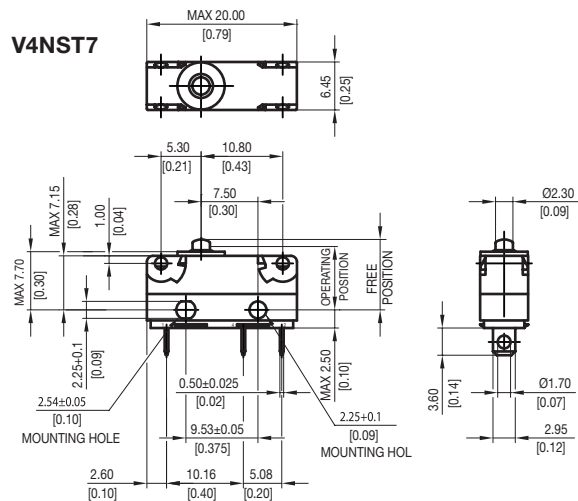


Dimension

V4NS



V4NST7



Recommended maximum electrical ratings

	Voltage (max)	Resistive load (A)	Motor load (A)	Approval
V4NST7UL	250 VAC	5 (0,75 pf)		UL 1054/CSA 22,2 No. 55 - 6,000 operations - 65°C EN61058-1, T85, 10,000 operations
	250 VAC	5	2	
	0 - 15 VDC	5	3	General rating - 50,000 operations (85°C)
	15 - 30 VDC	5	3	General rating - 50,000 operations (85°C)
V4NSUL	250 VAC	3 (0,75 pf)		UL 1054/CSA 22,2 No. 55 - 6,000 operations - 65°C EN61058-1, T85, 10,000 operations
	250 VAC	5	2	
	0 - 15 VDC	3	3	General rating - 50,000 operations (85°C)
	15 - 30 VDC	3	3	General rating - 50,000 operations (85°C)

V4NS

Operating Characteristics

Actuator	Reference	Actuating Force Maximum		Release Force Minimum		Free Position Maximum		Operating Position		Movement Differential Maximum	
		(N)	(ozf)	(N)	(ozf)	(mm)	(in)	(mm)	(in)	(mm)	(in)
Plunger 	V4NST7UL	2,5	9,00	0,30	1,00	9,2	0,36	8,4 ± 0,3	0,33 ± 0,012	0,1	0,004
	V4NSUL	2,5	9,00	0,30	1,00	9,2	0,36	8,4 ± 0,3	0,33 ± 0,012	0,1	0,004
Y1 lever 	V4NST7Y1UL	0,9	3,20	0,07	0,25	13,2	0,52	10,6 ± 1,2	0,42 ± 0,05	0,4	0,016
	V4NSY1UL	0,9	3,20	0,07	0,25	13,2	0,52	10,6 ± 1,2	0,42 ± 0,05	0,4	0,016
Width of lever 4,0 mm/0,16 in											
YC lever 	V4NST7YCUL	0,9	3,20	0,07	0,25	16,1	0,70	13,3 ± 1,2	0,61 ± 0,05	0,4	0,016
	V4NSYCUL	0,9	3,20	0,07	0,25	16,1	0,70	13,3 ± 1,2	0,61 ± 0,05	0,4	0,016
Width of lever 4,0 mm/0,16 in											
YR lever 	V4NST7YRUL	0,9	3,20	0,07	0,25	17,8	0,70	15,6 ± 1,2	0,61 ± 0,05	0,4	0,016
	V4NSYRUL	0,9	3,20	0,07	0,25	17,8	0,70	15,6 ± 1,2	0,61 ± 0,05	0,4	0,016
Width of lever 4,0 mm/0,16 in											

Over travel: Plunger can be depressed flush with housing. The housing should not be used as an end stop.

V4NS

Ordering Reference

Basic type V4N Example: V4N | S | T7 | C2 | Y1 | 0 | X | UL

Type of sealing/ Overtravel
S Sealed IP67 standard travel
B Sealed IP67 with extended overtravel (0,5 mm)

Terminals
No symbol, pre-wired 500 mm with cable box (V4NS/B only)
T7 Solder 2,95 × 0,5 × 3,6 long
T8 PCB 0,8 × 0,5 × 4,0 long
T9 Faston 2,8 × 0,5 × 8,1 long
T81 Formed PCB 0,8 × 0,5 × 3,8 long
T82 Formed PCB 0,8 × 0,5 × 3,8 long

Circuit
No symbol, change-over
C2 Normally closed
C4 Normally open

Actuators
No symbol, without lever
Y1 Plain lever 18,0 mm
Y2 Plain lever 25,0 mm
Y3 Plain lever 32,0 mm
YC Cam follower lever 18,5 mm
YR Roller lever 16,0 mm
QA Long overtravel actuator available on request

Other actuators on special request

Actuator Position
0 No symbol, without lever, or lever fitted at the end nearest to the Plunger
With lever fitted at end opposite to plunger

Contact Material
X No symbol, Fine silver
Gold alloy on silver palladium crosspoint

Approvals
UL UL, CSA and ENEC approval

Special Features Saia specialise in customer specific solutions.
Additional product variants are available or can be provided.
If your requirements cannot be satisfied from the options listed,
please contact www.saia-burgess.com or your local SB outlet.