

1430

1430

Characteristics	■ single pole ■ faston ■ snap-in mounting
Rating	250 VAC, 0,2 [0,2] A 5E4
Dimensions (mm)	various
Actuator	■ lever
Approvals	ENEC



Preferred range switches

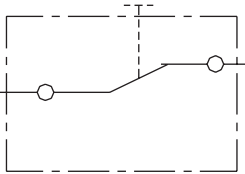
Preferred	Illumination	Terminals	Mounting	Function	Lever color
1430-045.02 1551	Without	tab 4,8 mm	Snap-in	NC	White

Specifications

Base / cover	PA
Plunger	PBPT
Mechanism	Single pole
Functions	Momentary normally closed
Contacts	Ag
Protection	IP 00
Mounting	Customised mounting
Tracking Resistance	PTI 250
Glow-wire	850°C

Circuit diagram

circuit diagram



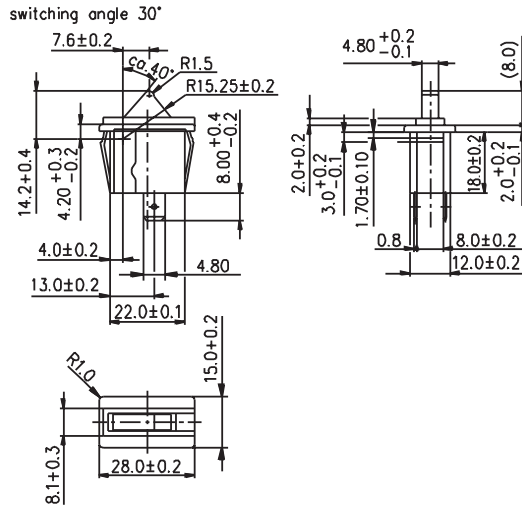
ERMEC, S.L. BARCELONA
C/ Francesc Teixidó, 22
08918 Badalona SPAIN

Tel. +34 902 450 160
info@ermec.com
www.ermec.com

ERMEC, S.L. - MADRID
C/ Puerto Rico, 4
28222 Majadahonda (Madrid) SPAIN

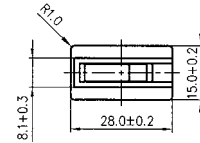
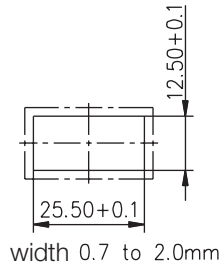
bilbao@ermec.com
portugal@ermec.com

Dimensions



Operating Characteristics

1430 250 VAC, 0.2 (0.2) [0.2] A
50.000 cycles T55



Standard Range

Ordering Reference	Illumination	Terminals	Mounting	Function	Lever color
1430-042.02 1651	Without	tab 6.3 mm	Snap-in	NC	White