

XKA

Characteristics

- long overtravel
- snap-action CO
- snap-in mounting
- type of protection according to IEC 60079-15.1:2010

Rating 250 VAC, 1 (1) A
5E4, T85

Dimensions (mm) 28 × 20 × 15

Actuator

- plain lever
- round levers

Approvals UL, CSA, ENEC



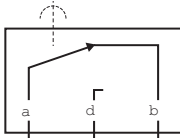
Preferred Range

| Ordering Reference | Actuating Force (N) | Sealing | Operating pos. (mm) | Terminal | Circuit | Actuator | Contacts | Electrical rating |
|--------------------|---------------------|---------|---------------------|----------|---------|----------------|----------|-------------------|
| XKA304A1AAJ11 | 0.65 | IP40 | 15,1 ± 1,6 | tab | CO | Straight lever | Ag/AgNi | 250 VAC, 1 A |
| XKA304A1AAJ21 | 0.62 | IP40 | 14,9 ± 1,6 | tab | CO | Straight lever | Ag/AgNi | 250 VAC, 1 A |

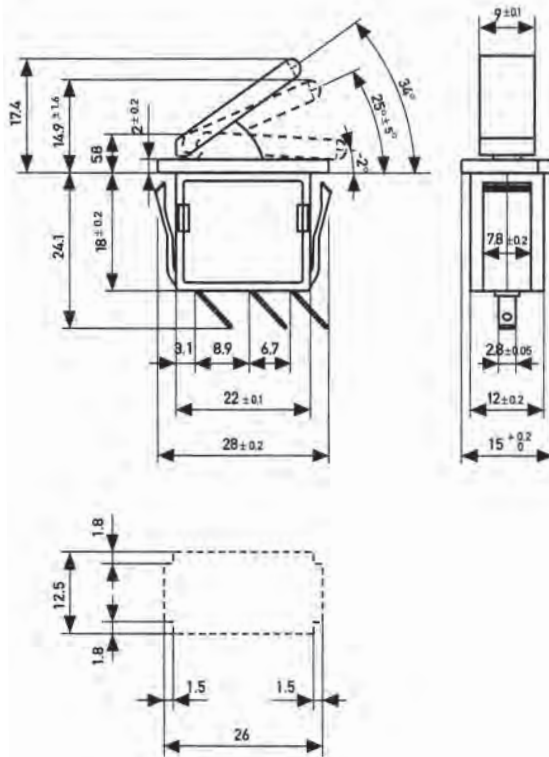
Specifications

| | |
|----------------------|--|
| Housing | PA |
| Plunger | PA |
| Mechanism | Snap-action system with stainless steel tension spring |
| Functions | Change-over |
| Contacts | Ag |
| Terminals | tab |
| Temperature range °C | 85°C |
| Mechanical life | 3 · 10 ⁵ cycles minimum |
| Protection | Enclosure IP 40 |
| Mounting | Snap-in fixing |
| Contact carrier | Brass |
| Tracking resistance | PTI 175 |
| Glow-wire | 850 °C |

Circuit diagram



Dimensions



Recommended maximum electrical ratings

| Voltage VAC | Resistive load (A) | Motor load (A) |
|----------------|-----------------------|-------------------|
| 250 | 1 | 1 |

The breaking capacities in the tables refer to silver contacts. Gold-plated contacts are intended for use in signal circuits where the energy being switched is at the milliwatt level. Power being switched must be limited in order to avoid overheating and possible dispersal of the gold from the contact area.



ERMEC, S.L. BARCELONA
C/ Francisc Teixidó, 22
08918 Badalona SPAIN

Tel. +34 902 450 160
info@ermec.com
www.ermec.com

ERMEC, S.L. - MADRID
C/ Puerto Rico, 4
28222 Majadahonda (Madrid) SPAIN

bilbao@ermec.com
portugal@ermec.com