

# Operating switches





# Operating switches

Up to 10 keys

---

# Chapter contents

CAES ..... 4  
EHA1 ..... 6  
EHA3 ..... 8  
EHE1 ..... 10  
HSM, HSF, HSU ..... 12  
PHC ..... 14  
PFP ..... 16  
ST ..... 18  
ST ..... 20  
STK ..... 22  
CAJH1 ..... 24  
PAM ..... 26

# CAES

## Hand switch

### Benefits

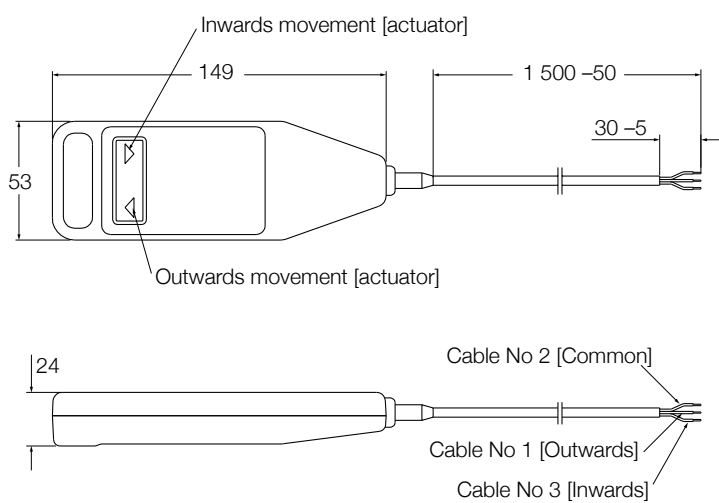
- Robust ergonomic design
- Membrane keyboard
- Clearly marked keys



### Technical data

	Unit	CAES 31C
Max. operating channels	n°	1
Operating power	V DC/mA	30/33
Type of protection	IP	54
Color	-	Black

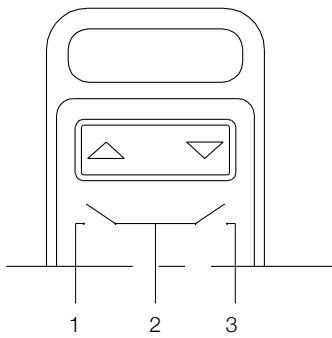
### Dimensional drawing



## Suitable control units

	Control units			
	CAED 3-24R	CAED 5-24R	CAED 9-24R	CAEV 110/220
CAES 31C	•	•	•	•

## Connecting diagrams



## Ordering key

CAES 31C (No connector, 2 buttons)

# EHA1

## Hand switch

### Benefits

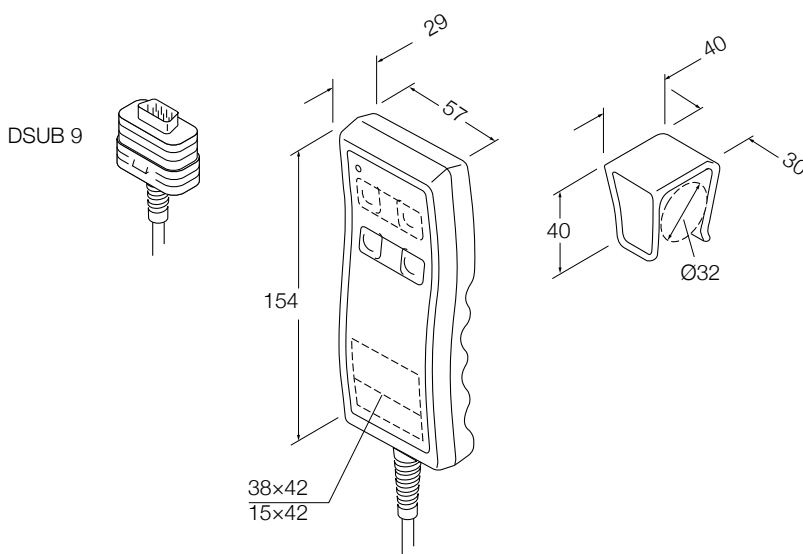
- Robust ergonomic design
- Tactile buttons, clearly marked
- Easy mountable fastening hook



### Technical data

	Unit	EHA 1
Max. operating channels	n°	2
Operating power	V DC/mA	12/50
Type of protection	IP	67
Color	-	Grey

### Dimensional drawing



## Suitable control units and linear actuators

	Linear actuators	Control units
	MAX7	MCU
EHA1	•	•

## Accessories

Description	Designation	Order number
Hook with sticker	ZBG-145361-000	0125538

## Ordering key

E H A 1 - 1 - N - 0 0 0

### Type

### Number of channels

- 1 1 channel
- 2 2 channels

### Hook

- 1 Yes mounted with hook
- 2 Hook supplied separately

### Cable / connecting plug

- B Coiled, 1,3 m/2,5 m / D-sub 9-pin plug
- C Straight 2,5 m (min DIN 6-pin plug)
- D Coiled 1,0 m/2,0 m (min DIN 6-pin plug)
- F Coiled 2,5 m/3,5 m / D-sub 9-pin plug

### Symbols

- 00 None
- 10 1 channel: Head
- 20 2 channels: Arrow up/down

# EHA3

## Hand switch

### Benefits

- Robust ergonomic design
- Tactile buttons, clearly marked
- Easy mountable fastening hook

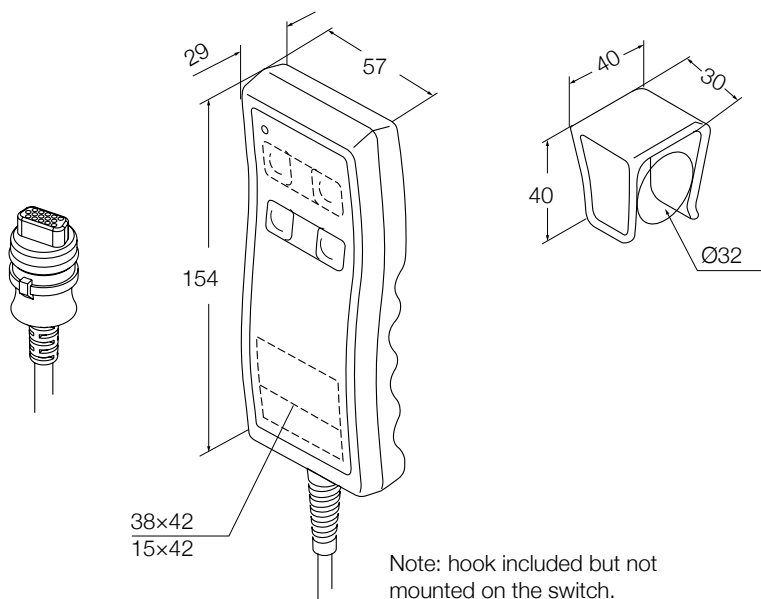


### Technical data

	Unit	EHA 3
Max. operating channels	n°	5
Operating power	V DC/mA	12/50
Type of protection	IP	67
Color	-	Grey
Cable: Coiled 1,3 m/2,5 m	-	D-sub 15-pin

### Dimensional drawing

High density  
D-Sub 15





## Suitable control units and pillars

	Pillars		Control units							
	TFG 50	TFG 90	SCU 1	SCU 5	SCU 9	VCU 5	VCU 8	VCU 9	BCU 5	BCU 8
EHA3	•	•	•	•	•	•	•	•	•	•

## Accessories

Description	Designation	Order number
Hook with sticker	ZBG-145361-000	0125538

## Ordering keys

E H A 3 - 2 3 M - N - 0 0 0

Type

Number of channels

- 1 1 channel
- 2 2 channels
- 3 3 channels
- 4 4 channels
- 5 5 channels
- A 1 channel with 3 memory positions (only for SCU)
- B 2 channels with 3 memory positions (only for SCU)
- C 3 channels with 3 memory positions (only for SCU)

Symbols

- 00 None
- 10 1 channel: 2nd row from top Arrow up/down
- 11 Head
- 12 Foot
- 13 Level
- 14 Anti-Trendelenburg
- 20 2 channels: 1st-2nd row from top Arrow up/down
- 21 Head/foot
- 22 Head/level
- 23 Level/head
- 29 Level/Anti-Trendelenburg
- 30 3 channels: 1st-3rd row from top Arrow up/down
- 31 Head/foot/level
- 32 Level/head/foot
- 39 Level/Anti-Trendelenburg/Head
- 40 4 channels: 1st-4th row from top Arrow up/down
- 47 Level/Anti-Trendelenburg/Head/Foot
- 50 5 channels: 1st-5th row from top Arrow up/down

Options shown in red are only available on demand. Please contact Ewellix.

# EHE1

## Hand switch

### Benefits

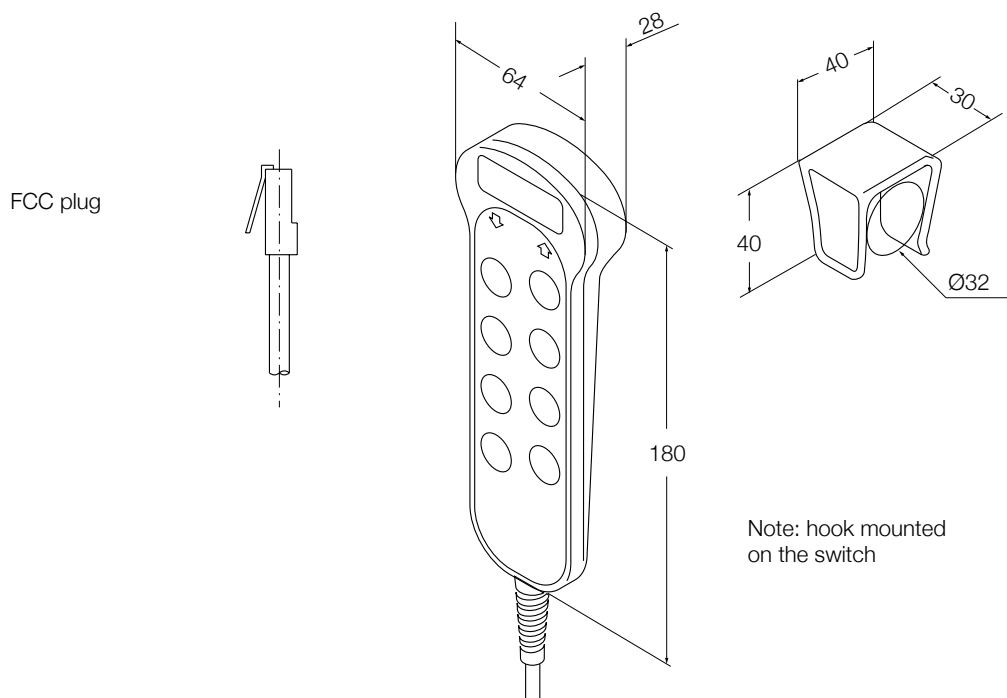
- Easy and precise
- Flexible and remote operation
- Ergonomic design



### Technical data

	Unit	EHE 1
Max. operating channels	n°	2
Operating power	V DC/mA	38/50
Type of protection	IP	×67
Color	-	Grey
Cable: Coiled 1,1 m/2,5 m	-	FCC plug

### Dimensional drawing



## Suitable control units and pillars

	Pillars				Control units	
	TXG 4 <sup>1)</sup>	TXG 5 <sup>1)</sup>	TXG 8 <sup>1)</sup>	TXG 9 <sup>1)</sup>	SEM1 2	SEM1 4
EHE1	•	•	•	•	•	•

<sup>1)</sup> Only with FCC plug

## Accessories

Description	Designation	Order number
Hook	ZBG-145361-000	0125538

## Ordering key

E H E 1 - 1 B 1 B - 0 0 0

Type

Number of channels

- 1 1 channel
- 2 2 channels

Symbols

- 10 1 channel: Arrow up/down
- 20 2 channels: Arrow up/down

# HSM, HSF, HSU

## Hand switch

### Benefits

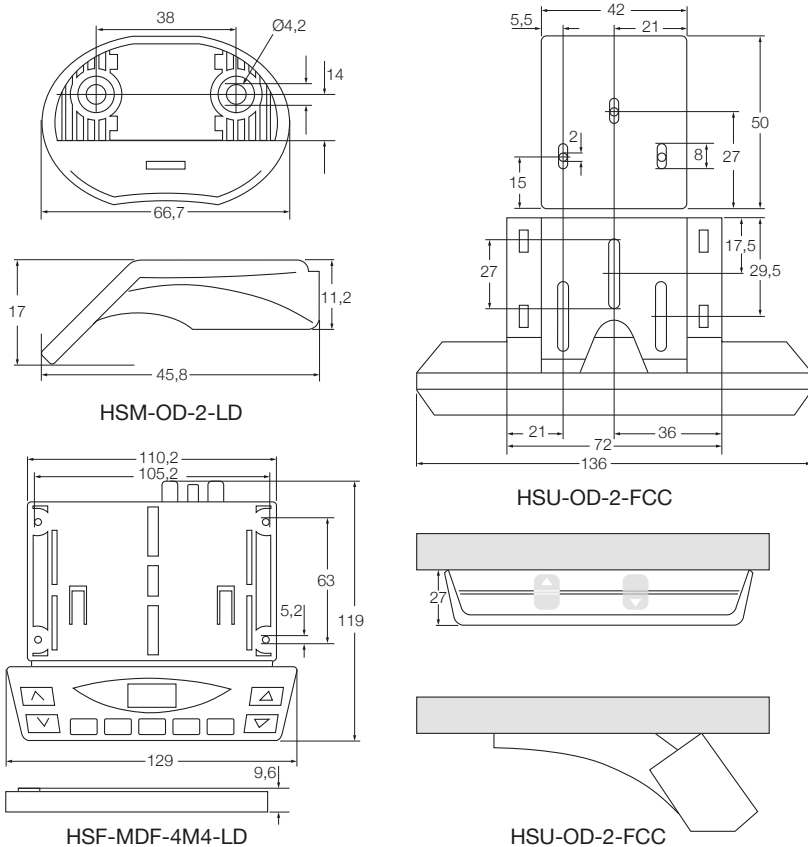
- Easy and precise
- Stylish design
- Different functions



### Technical data

	Unit	HSM-OD-2-LD	HSF-MDF-4M4-LD	HSU-OD-2-FCC
Max. operating channels	n°	1	1 or 2	1
Operating power	V DC/mA	5/50	5/50	5/50
Type of protection	IP	32	32	32
Color	-	Black	Black	Black

### Dimensional drawing



## Suitable control units and pillars

	Pillars	Control units
	TXG	COMPACT
HSM-OD-2-LD		•
HSF-MDF-4M4-LD		•
HSU-OD-2-FCC	•	

## Ordering key

HSM-OD-2-LD (DIN7 plug)  
 HSF-MDF-4M4-LD (DIN7 plug)  
 HSU-OD-2-FCC (FCC plug, only for TXG)

# PHC

## Hand switch

### Benefits

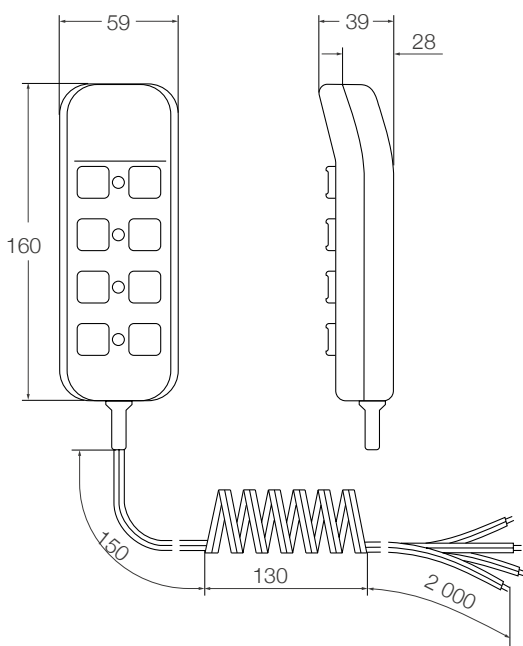
- Easy and precise
- Flexible and remote operation
- Ergonomic design



### Technical data

	Unit	PHC
Max. operating channels	n°	4
Operating power	V DC/mA	N/A
Type of protection	IP	66
Color	-	Grey

### Dimensional drawing



## Suitable linear actuators and pillars

	Linear actuators		Pillars		
	MAX 7	MAX 7	TLC pneumatic	TGC pneumatic	THC pneumatic
PHC	•	•	•	•	•

## Ordering key

- PHC 1 – 130517 (1 channel with arrows up/down, without hook)
- PHC 2 – 130625 (2 channels with arrows up/down, without hook)
- PHC 3 – 130756 (3 channels with arrows up/down, without hook)
- PHC 4 – 130955 (4 channels with arrows up/down, without hook)

Other symbols / with hook on demand.

# PFP

## Foot switch

### Benefits

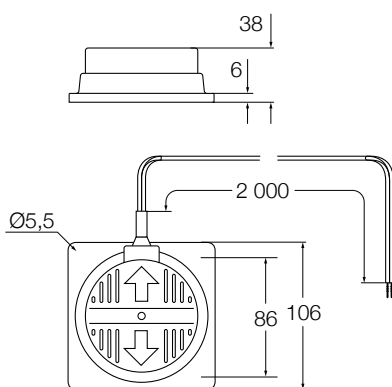
- Robust ergonomic design
- Easy and precise
- Flexible and remote operation



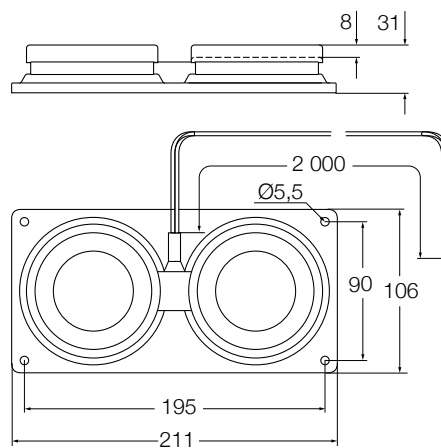
### Technical data

	Unit	PFP 1K	PFP 1
Max. operating channels	n°	1	1
Operating power	V DC/ mA	N/A	N/A
Type of protection	IP	21	21
Color	-	Grey	Anthracite

### Dimensional drawing



PFP 1K-130652



PFP 1-121545



## Suitable linear actuators and pillars

	Linear actuators		Pillars		
	MAX 7	MAX 7	TLC pneumatic	TGC pneumatic	THC pneumatic
PFP	•	•	•	•	•

## Ordering key

PFP 1K – CAES 31C (No connector, 2 buttons) 130652  
 PFP 1 – 121545

Other versions on request.

# ST

## Foot switch

### Benefits

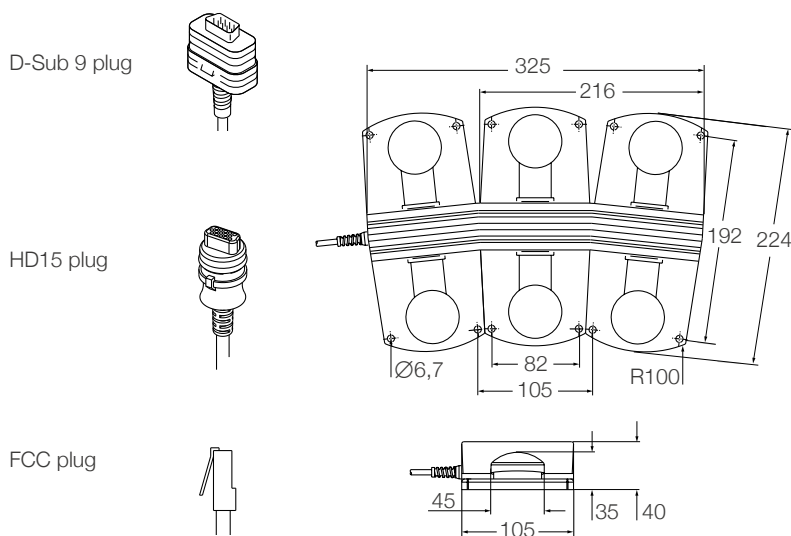
- Easy and precise
- Ergonomic design
- Different plug options



### Technical data

	Unit	ST
Max. operating channels	n°	3
Operating power	V DC/mA	12/50
Type of protection	IP	×5
Color	–	Blue/anthracite

### Dimensional drawing



## Suitable pillars, linear actuators and control units

	Pillars		Linear Actuators	Control units								
	TFG 50/90	TXG 4/5/8/9 <sup>1)</sup>	MAX 7	SCU 1	SCU 5	SCU 9	VCU 5	VCU 8	VCU 9	BCU 5	BCU 8	MCU
STJ	•			•	•	•	•	•	•	•	•	
STF		•	•									•

<sup>1)</sup> Only with FCC plug

## Accessories

Description	Designation	Order number
Rubber feet (100 pcs.)	ZBE-135310	0102879
Sticker arrow up	ZKL-135309-0001	0124871
Sticker arrow down	ZKL-135309-0002	0124870

## Ordering key



Type

Product group:

- F Classic, D-Sub9 or FCC plug
- J Standard, single-fault safety, HD15 plug

Number of channels:

- 1 One (1) channel
- 2 Two (2) channels
- 3 Three (3) channels

Cable / connecting plug:

- LU Coiled cable 1,3-2,5 m / D-sub plug
- LW Coiled cable 1,3-2,5 m / HD15 plug
- OU Straight cable 2,5 m / D-sub plug
- OV Straight cable 2,5 m / FCC plug (only for STF01 and STF02)
- OW Straight cable 2,5 m / HD15 plug

Color:

- 1 Anthracite
- 4 Blue

Option:

- 000 None
- MAY Mounted with rubber feet

Symbols:

- X1 Arrow up/down (on each pair of buttons), 1–3 channels
- 37 Arrow up/down, M/1, 2/3 (3 memory buttons) only for STJ03

# ST

## Desk switch

### Benefits

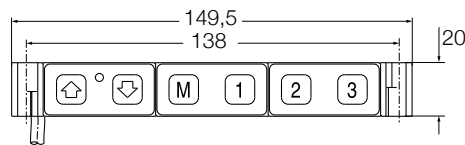
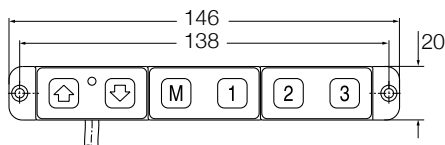
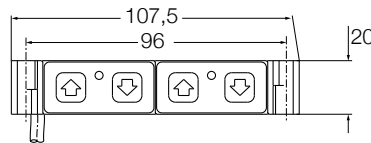
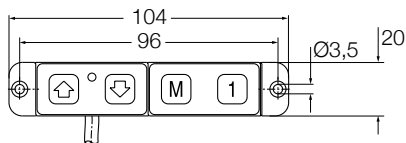
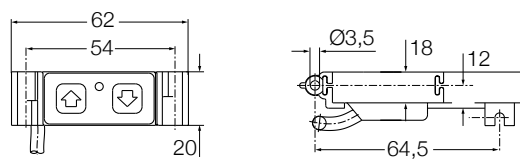
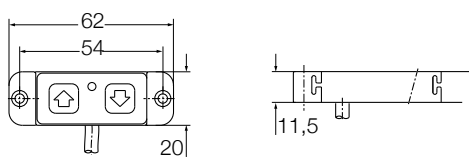
- Easy and precise
- Stylish design
- Memory position



### Technical data

	Unit	ST
Max. operating channels	n°	3
Operating power	V DC/mA	12/50
Type of protection	IP	x0
Color	-	Black

### Dimensional drawing



STA straight

STA 90°

## Suitable pillars, linear actuators and control units

	Pillars <sup>1)</sup>		Linear Actuators <sup>1)</sup>	Control units								
	TFG 50/90	TXG 4/5/8/9 <sup>2)</sup>	MAX 7	SCU 1	SCU 5	SCU 9	VCU 5	VCU 8	VCU 9	BCU 5	BCU 8	MCU
STA		•	•									•
STE	•			•	•	•	•	•	•	•	•	

<sup>1)</sup> With integrated control units

<sup>2)</sup> Only with FCC plug

## Ordering key



Type

Product group:

- A Classic, D-Sub9 or FCC plug
- E Standard, single-fault safety wiring, HD15 plug

Number of channels:

- 1 One (1) channel
- 2 Two (2) channels
- 3 Three (3) channels

Cable / connecting plug:

- 0U Straight cable 2,5 m / D-sub plug
- WV Straight cable 1,5 m / FCC plug
- 0W Straight cable 2,5 m / HD15 plug

Option:

- 000 No option
- MAU Mounted on or underneath desktop, at a 90° angle

Symbols:

- X1 Up/down arrow on each pair of keys (1-3 channels)
- 37 Up/down arrow, 3 memory functions M/1, M/2, M/3 (3 channels)

# STK

## Desk switch

### Benefits

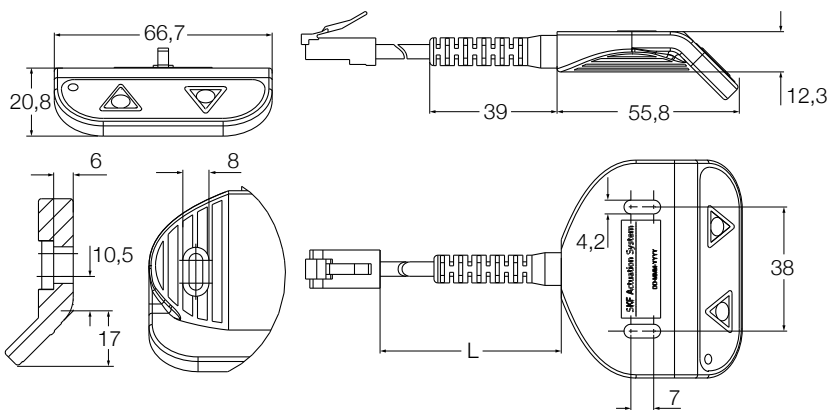
- Easy and precise
- Stylish design
- Tactile buttons with finger guide
- 2 colors LED for power and feedback status



### Technical data

	Unit	STK
Max. operating channels	n°	1
Operating power	V DC/mA	12/50
Color	-	Grey
Indicator	-	2 colors LED for power and feedback status
Plug	-	RJ45
Symbols	-	with arrows up/down

### Dimensional drawing



	STK01-SW3000-X100	STK01-UW3000-X100
L [mm]	500	1 000

## Suitable pillars and accessories

	Pillars		Socket boxes		
	CPMA1-1	CPMA1-2	CPMA2-2	ZDV-348220-002	ZDV-348221-002
STK01-SW3000-x100	•	•	•	•	•
STK01-UW3000-x100	•	•	•	•	•

## Ordering key

Description	Part number	Order number
Desk switch with LED, cable 0,5 m	STK01-SW3000-x100	130025
Desk switch with LED, cable 1 m	STK01-UW3000-x100	130026

# CAJH1

## Benefits

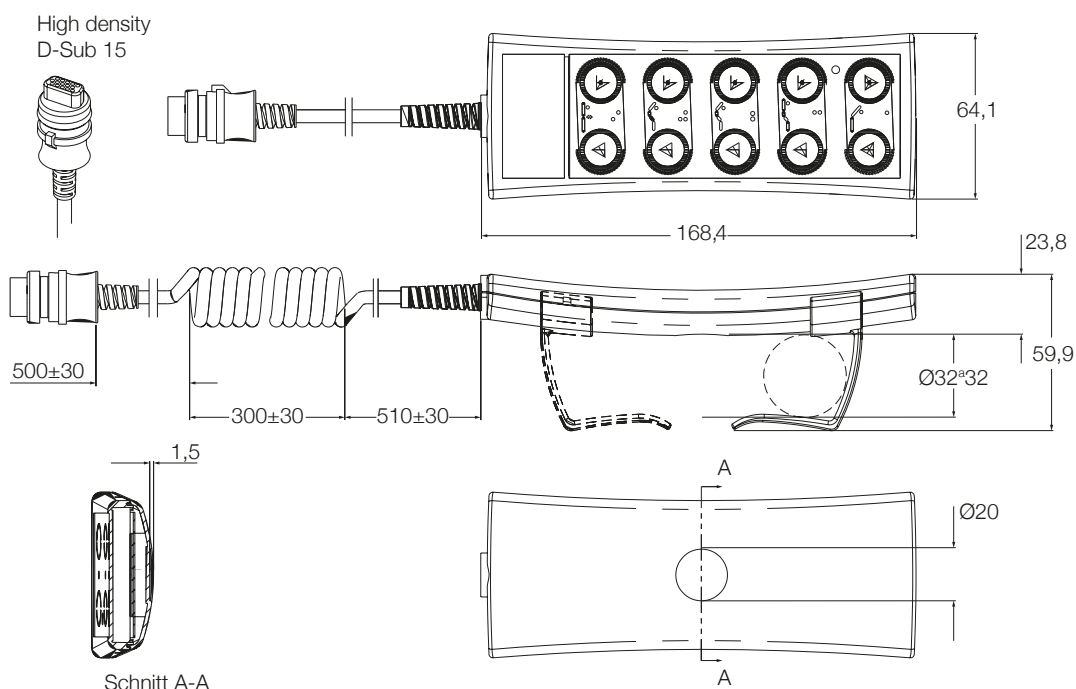
- Robust and elegant ergonomic design with LED
- 2 positions fastening hook
- Ready for add-on customer sticker



## Technical data

	Unit	CAJH1
Max. operating channels	n°	5
Operating power	V DC/mA	12/50
Type of protection	IP	×4
Color	-	Grey
Cable: Coled 1,3 m/2,5 m	-	0-sub 15-pin

## Dimensional drawing





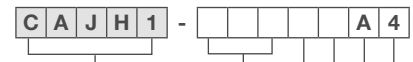
## Suitable pillars and control units

	Pillars		Control units							
	TFG 50	TFG 90	SCU1	SCU5	SCU9	VCU5	VCU8	VCU9	BCU5	BCU8
CAJH1	•	•	•	•	•	•	•	•	•	•

## Accessories

Description	Part number	Order number
Hook with clips	ZBG-145361-000	M/0125538

## Ordering key



**Type**

**Number of channels/Symbols**

100	1 channel	No symbols
1A0		Arrow up/down
1A1		Arrow up/down / with 3 memory positions
1B1		Customized
200	2 channels	No symbols
2A0		Arrow up/down
2A1		Arrow up/down / with 3 memory positions
2B1		Customized
300	3 channels	No symbols
3A0		Arrow up/down
3A1		Arrow up/down / with 3 memory positions
3B1		Customized
400	4 channels	No symbols
4A0		Arrow up/down
4B1		Customized
500	5 channels	No symbols
5A0		Arrow up/down
5B1		Customized

**Suspension**

- 0 without hook
- 1 hook mounted

**Logo**

- 0 no
- 1 Logo according to customer specification

**Cable**

- A High density D-Sub 15p Coiled cable 1,3 m / 2,3 m

**Protection Class**

- 4 IPX4

# PAM

## Pneumatic desk switch

### Benefits

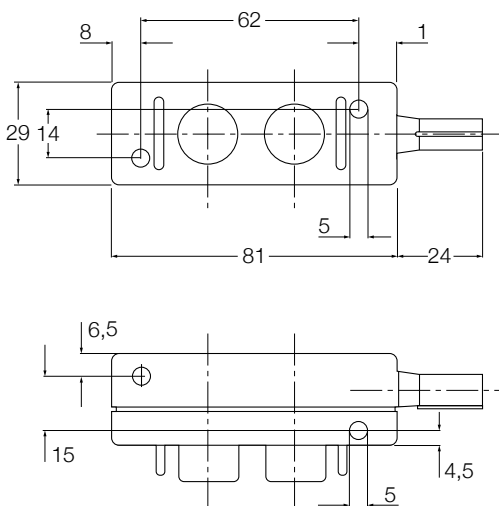
- Operation with air (no electricity)
- Stylish design



### Technical data

	Unit	PAM -130256
Max. operating channels	n°	1
Operating power	V DC/ mA	N/A
Type of protection	IP	N/A
Tube	-	Straight, 1,50 m
Color	-	Anthracite

### Dimensional drawing

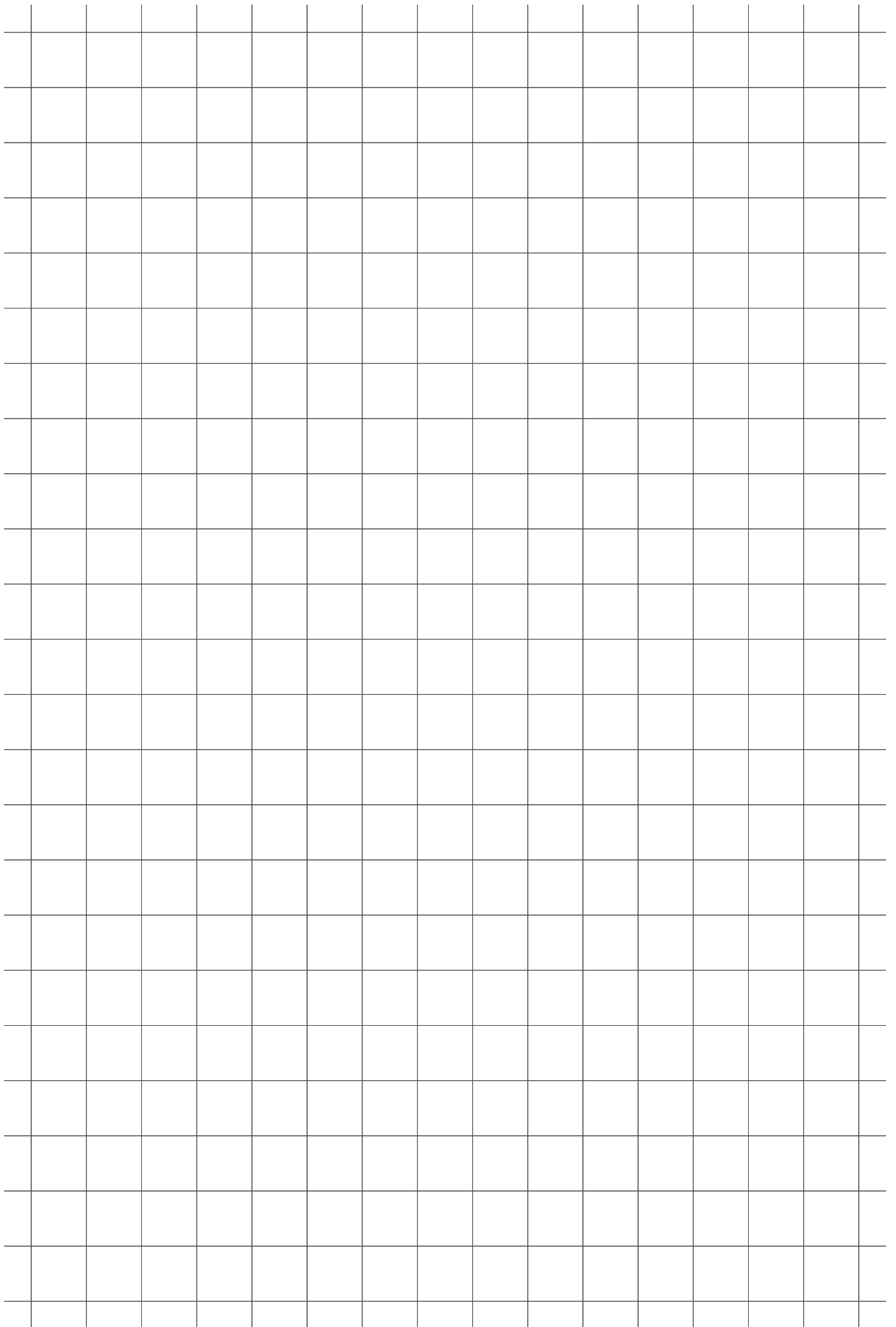


### Suitable linear actuators and control units

	Linear actuators		Control units		
	MAX7	MAX7	TLC pneumatic	TGC pneumatic	THC pneumatic
PAM	•	•	•	•	•

### Ordering key

PAM-130256





**ERMEC BCN**

C/ Francesc Teixidó, 22  
P.E. Granland, Badalona Sur  
08918 Badalona (Barcelona)  
SPAIN  
comercial@ermec.com  
Tel. (+34) 934 501 600  
Fax (+34) 934 330 885  
www.ermec.com

**ERMEC MADRID**

Tel. (+34) 918 285 651  
madrid@ermec.com

**ERMEC BILBAO**

Tel. (+34) 946 455 054  
bilbao@ermec.com

**ERMEC PORTUGAL**

Tel. (+351) 707 509 539  
portugal@ermec.com

**ewellix.com**

© Ewellix

All contents of this publication are the property of Ewellix, and may not be reproduced or given to third parties (even extracts) without permission. Although great care has been taken in the production of this catalog, Ewellix does not take any responsibility for damage or other loss resulting from omissions or typographical errors. The photo may differ slightly in appearance from the actual product. Due to continuous improvements being made in our products, the product's appearance and specifications are subject to change without notice.

PUB IL-06009/1-EN-April 2020