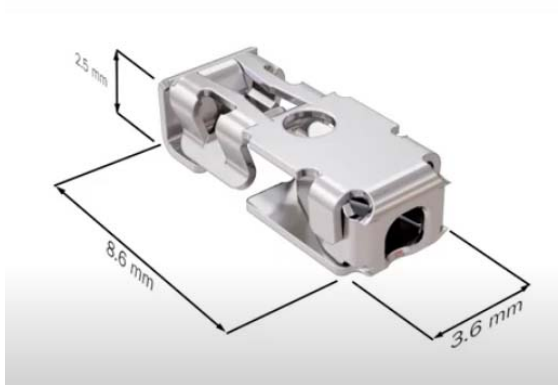


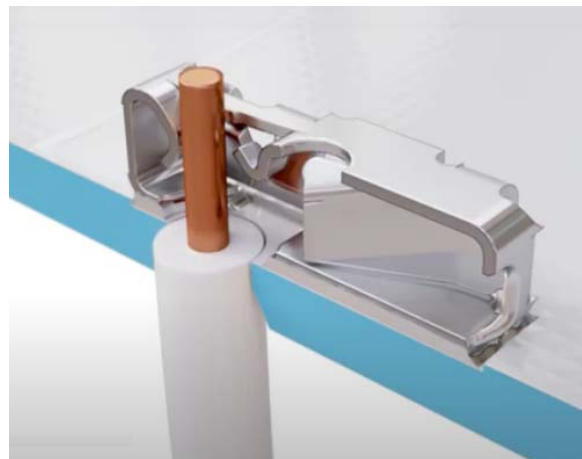
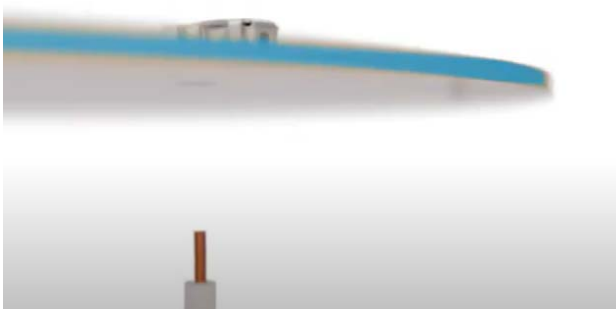
SMDblank

SAFE AND EASY CONNECTION OF LED MODULES

- Super flat with a height of just 2.5mm
- No plastic housing
- Horizontal or Vertical connection



HORIZONTAL CONNECTION



VERTICAL CONNECTION

SMD Connectors

Flat SMD Terminal Blocks for Safe and Easy Connection of LED Modules

These particularly flat SMD terminal blocks SMDflat 345 with its extremely low total height of 3.45 mm allow minimal shadow effect when connecting LED modules.

The SMDflat 545 stands for the safe and easy mains connection of LED modules with a correspondingly larger conductor diameter and a higher current carrying capacity.

The SMDblank, a terminal block type without moulding, allows reduction of the shadow effect on the LED module to a minimum. In addition, the SMDblank may be connected both horizontally and vertically.



SMDblank/1

Order No. 351901

terminal block, 1 pole, current rating: 4.0 A, voltage rating: 320 V



SMDflat 345/1 WS

Order No. 351101

terminal block, pin spacing: 4.00 mm, 1 pole, current rating: 6.0 A, voltage rating: 600 V



SMDflat 345/2 WS

Order No. 351102

terminal block, pin spacing: 4.00 mm, 2 pole, current rating: 6.0 A, voltage rating: 250 V



SMDflat 545/1

Order No. 351401

terminal block, pin spacing: 6.00 mm, 1 pole, current rating: 16.0 A, voltage rating: 500 V



SMDflat 545/2

Order No. 351402

terminal block, pin spacing: 6.00 mm, 2 pole, current rating: 16.0 A, voltage rating: 400 V



SMDflat 545/2 BRÜ

Order No. 22126
terminal block, pin spacing: 6.00 mm, 1 pole, current rating: 16.0 A, voltage rating: 250 V



SMDflat 545/3

Order No. 351403
terminal block, pin spacing: 6.00 mm, 3 pole, current rating: 16.0 A, voltage rating: 400 V



SMDflat 345 KU/1

Order No. 351151
connecting link, 1 pole, current rating: 6.0 A, voltage rating: 600 V



SMDflat 345 KU/2

Order No. 351152
connecting link, 2 pole, current rating: 6.0 A, voltage rating: 250 V



SMDblank WKZ

Order No. 351999
release tool



SMDflat WKZ

Order No. 351199
release tool