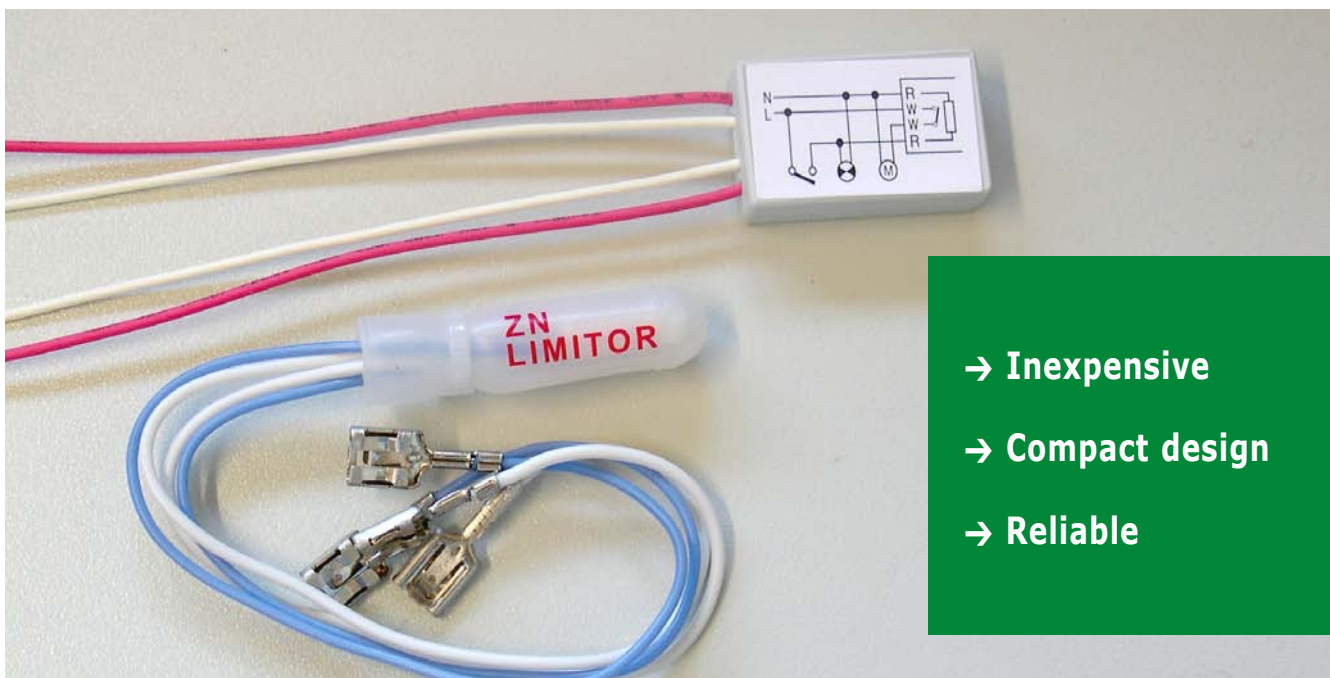


Thermal Time Delay Switch



- Inexpensive
- Compact design
- Reliable

Applications

These switches are used whenever electrical components should be switched delayed in a certain and simple way. Typical applications are time delayed turnoffs of fans ventilating bath rooms or ovens to remove water condensation.

Function

If control voltage is applied to the control leads, the working contact closes time delayed. This contact system is galvanic separated from the control leads. After removing control voltage the contact keeps closed for another delayed time which depends on surround temperature and the time control voltage was present.

Specifications

Switching capacity
2,5 (1,6) A, 250 VAC

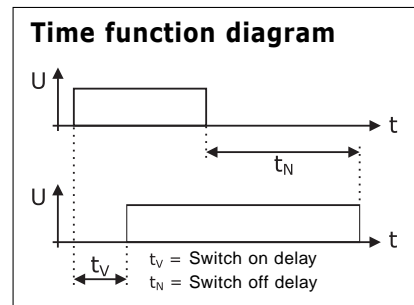
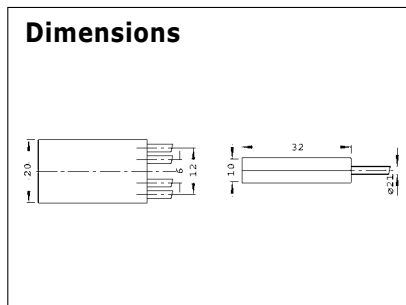
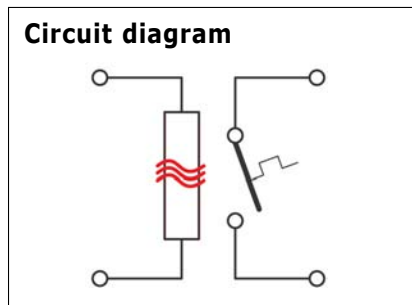
Control voltage
12 V – 230 V AC/DC

Switch on delay
approx. 45 s

Switch off delay
5 – 10 minutes

Dimensions
20 x 32 x 10 mm (plastic box)
12 x 45 mm (silicon tube)

Approvals
VDE, conform to RoHS



ERMEC, S.L. BARCELONA
C/ Francesc Teixidó, 22
E-08918 Badalona
(Spain)

Tel.: (+34) 902 450 160
Fax: (+34) 902 433 088
info@ermec.com
www.ermec.com

ERMEC, S.L. MADRID
C/ Sagasta, 8, 1ª planta
E-28004 Madrid
(Spain)

PORTUGAL
portugal@ermec.com



Distribución de componentes
eléctricos y electrónicos