



ERNI expands the established ERbic Typ 8 Series with a CANbus Version.

Features

- All parts are pre-assembled, only 1 mounting screw
- Extremely flexible due to:
 - Spring clamp terminal
 - Changeable cable clamps for different cable diameters from 6 to 9 mm (8 mm pre-assembled, 7 mm enclosed)
- Best quality due to use of the new ERNI D-Sub connector generation
- Externally connectable termination resistor
- Optional diagnostic-interface
- Extra metallic stamped shield connection for optimal shield contact
- Processible with only one tool (screwdriver)
- Exchangeable ID plate for manual or automatic labeling
- Due to the red lever the switch setting is well visible
- Compact design
- Large area for customer-specific labeling, neutral version or with custom company-logo

Technical Data

| | |
|-----------------------------|---------------------------------------------------------------|
| Interface connector | D-Sub, female class 2 |
| PU connection | D-Sub, male class 2 |
| Cable termination | 2 x horizontal cable outlets can be covered by blind plate |
| Cable diameter | 6 – 9 mm |
| Cross section of cage clamp | 0.08 – 0.5 mm ² (0.75 mm ²) |
| Data transmission rate | max. 1 MBit/s (CAN-Spezifikation) |
| Temperature range | -20 °C – +70 °C |

Permissible humidity

max. 75% at +25 °C,
non-condensing

Protection class

IP 20

Housing material

Thermoplast UL94V-1

D-Sub screw #4/40 UNC

slotted head screw

UL approval

in preparation

CE marking

ERbic connectors are passive components and do not need to be identified with CE marking acc. to EU directives.

Recommended Cables

LAPP cables (for standard cable clamp 8 mm):

| | | |
|-------------------------------|---------|----------|
| UNITRONIC BUS CAN UL/CSA | 2170266 | ø 7.5 mm |
| UNITRONIC BUS FD P CAN UL/CSA | 2170278 | ø 8.0 mm |

Helu cables (for cable clamp 7 mm):

| | | |
|------------------------------|--------|----------|
| CAN Bus cable | 800571 | ø 7.0 mm |
| CAN Bus cable, high flexible | 802182 | ø 6.9 mm |

Pin Configuration

| Terminal | D-Sub Pin | Wire color | Signal |
|----------|-----------|------------|------------|
| GND | 3 | shielding | CAN ground |
| C-L | 2 | white | CAN-Low |
| C-H | 7 | brown | CAN-High |
| C-L | 2 | white | CAN-Low |
| C-H | 7 | brown | CAN-High |
| GND | 3 | shielding | CAN ground |

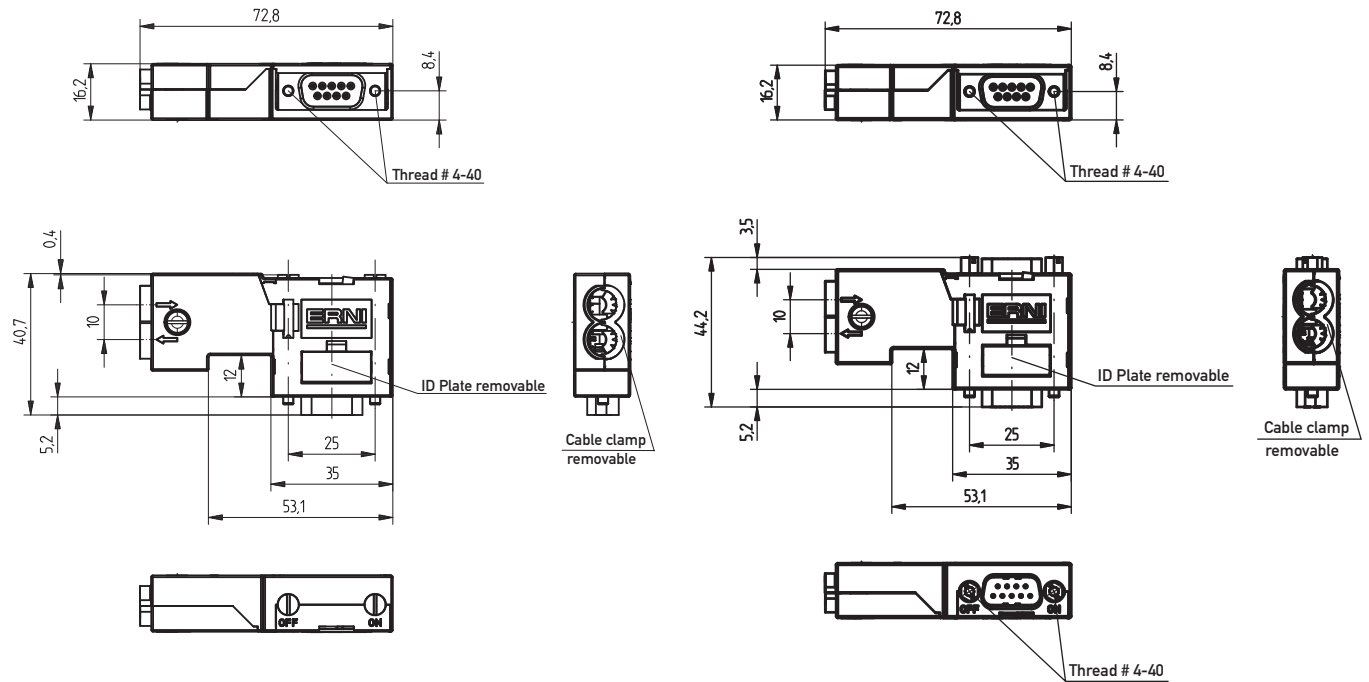
ERbic CANbus



Dimensional Drawing

CANbus without PU connection

CANbus with PU connection



Ordering Information

| ERbic Type with Switch | D-Sub 9-pin | Color | Termination | Part Number |
|--------------------------------------|---------------------------------|-------|-------------|-------------|
| CANbus without service/PU connection | female | black | cage clamp | 366328 |
| CANbus with service/PU connection | female and male (PU connection) | black | cage clamp | 366331 |

Packaging: Single box with enclosed installation instructions (cable clamp 7 mm and blind plate are enclosed).

| Accessory | Cable Diameter | Color | Part Number |
|-------------|----------------|------------|-------------|
| Cable clamp | 6 mm | light grey | 224427 |
| Cable clamp | 9 mm | light grey | 224433 |
| ID plate | - | white | 134577 |