

**New**

# MT series

## Sealed selector switch

11/16 threaded bushing



- Environmentally sealed toggle switch (IP68)
- Multiple single pole functions available
- Various contact materials that allow for usage from dry circuit applications up to 6A 125VAC, 3A 250VAC

### SPECIFICATIONS

- Current/voltage rating with resistive load :

Contact	Maximum	Minimum	Level*
Silver (A)	3A 250VAC - 6A 125VAC - 4A 30VDC	50mA 10VDC	III and IV
Silver, gold plated (AD)	3A 250VAC - 6A 125 VAC - 4A 30VDC Gold plating withstands up to 100mA 30VDC	10mA 50mV 10 $\mu$ A 5V	I to IV
Brass, gold plated (CD)	0,4 VA at 20VAC or DC	10mA 50mV 10 $\mu$ A 5V	I and II

- Initial contact resistance : 10 m $\Omega$  max.
- Insulation resistance : 1.000 M $\Omega$  min. at 500VDC
- Dielectric strength :
  - 1.000 Vrms 50 Hz min. between terminals
  - 1.500 Vrms 50 Hz min. between terminals and frame
- Contact bounce : 2 ms max.
- Electrical life at full load : 50.000 cycles
- Low level or mechanical life : 100.000 cycles
- Operation temperature: -40°C to +85°C

### MATERIALS

- Actuator : 6/6 Nylon
- Bushing : brass, nickel plated
- Contacts
  - A : silver
  - AD : silver, gold plated
  - CD : brass, gold plated
- Terminal seal : epoxy



ERMEC, S.L. BARCELONA  
C/ Francesc Teixidó, 22  
E-08918 Badalona  
(Spain)

Tel.: (+34) 902 450 160  
Fax: (+34) 902 433 088  
[info@ermec.com](mailto:info@ermec.com)  
[www.ermec.com](http://www.ermec.com)

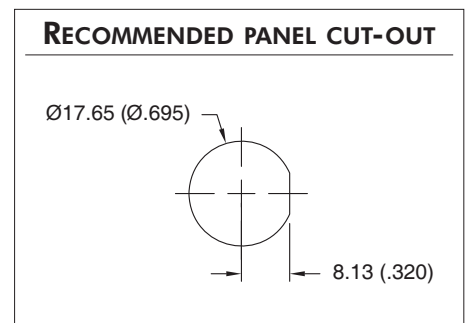
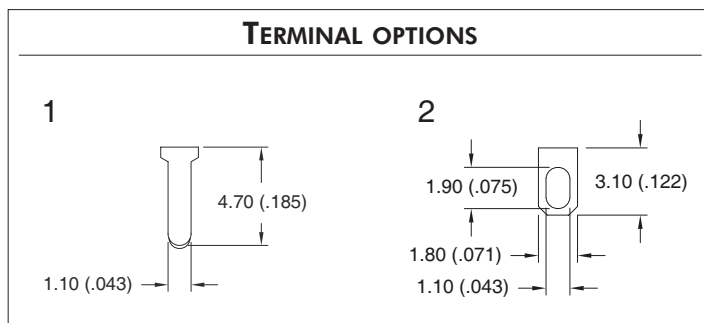
ERMEC, S.L. MADRID  
C/ Sagasta, 8, 1ª planta  
E-28004 Madrid  
(Spain)

PORTUGAL  
[portugal@ermec.com](mailto:portugal@ermec.com)  
BILBAO  
[bilbao@ermec.com](mailto:bilbao@ermec.com)

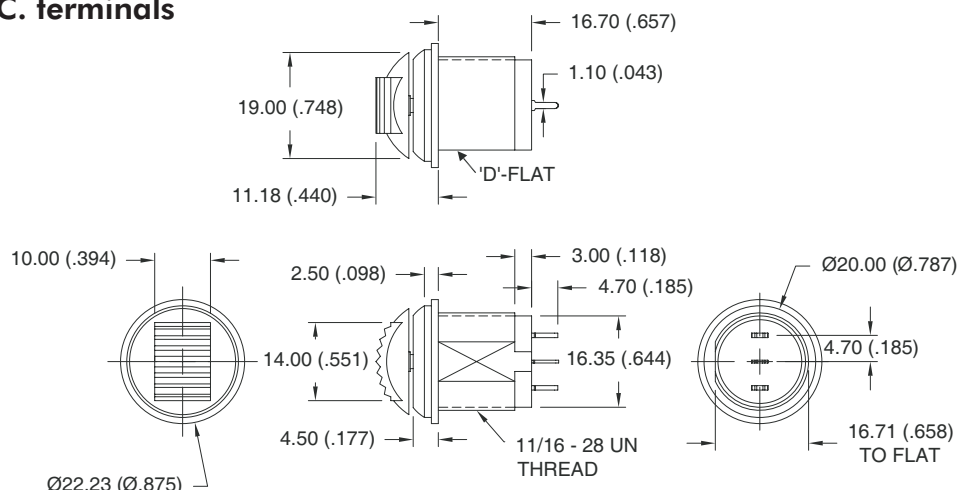
# MT series

## Sealed selector switch

<b>MT</b>	<b>G</b>																														
<b>SERIES</b>		<b>Electrical function</b>		<b>Contact material</b>																											
		<table border="1"> <tr><td>6</td><td>ON</td><td>-</td><td>ON</td></tr> <tr><td>9</td><td>ON</td><td>OFF</td><td>ON</td></tr> <tr><td>7</td><td>MOM</td><td>OFF</td><td>MOM</td></tr> <tr><td>8</td><td>ON</td><td>OFF</td><td>MOM</td></tr> <tr><td>2</td><td>ON</td><td>-</td><td>MOM</td></tr> </table>	6	ON	-	ON	9	ON	OFF	ON	7	MOM	OFF	MOM	8	ON	OFF	MOM	2	ON	-	MOM		<table border="1"> <tr><td><b>A</b></td><td>Silver</td></tr> <tr><td><b>AD</b></td><td>Gold plated silver</td></tr> <tr><td><b>CD</b></td><td>Gold plated brass</td></tr> </table>	<b>A</b>	Silver	<b>AD</b>	Gold plated silver	<b>CD</b>	Gold plated brass	
6	ON	-	ON																												
9	ON	OFF	ON																												
7	MOM	OFF	MOM																												
8	ON	OFF	MOM																												
2	ON	-	MOM																												
<b>A</b>	Silver																														
<b>AD</b>	Gold plated silver																														
<b>CD</b>	Gold plated brass																														
	<b>Finish</b>		<b>Terminals</b>		<b>Actuator color</b>																										
	<table border="1"> <tr><td><b>Blank</b></td><td>bright chrome finish</td></tr> <tr><td><b>G</b></td><td>Matt black finish (standard)</td></tr> </table>	<b>Blank</b>	bright chrome finish	<b>G</b>	Matt black finish (standard)		<table border="1"> <tr><td><b>1</b></td><td>Straight P.C.</td></tr> <tr><td><b>2</b></td><td>Solder lug</td></tr> </table>	<b>1</b>	Straight P.C.	<b>2</b>	Solder lug		<table border="1"> <tr><td><b>2</b></td><td>Black</td></tr> </table> <p>Consult factory for other options.</p>	<b>2</b>	Black																
<b>Blank</b>	bright chrome finish																														
<b>G</b>	Matt black finish (standard)																														
<b>1</b>	Straight P.C.																														
<b>2</b>	Solder lug																														
<b>2</b>	Black																														



### Sealed Selector with P.C. terminals



**Mounting accessories** : standard hardware supplied with all models one hex nut 20.64 (.813) across flats, and one sealing gasket



**Packaging unit** : 25 pieces or 50 pieces depending on model

D-2

[www.apem.com](http://www.apem.com)

**APEM**



ERMEC, S.L. BARCELONA  
C/ Francesc Teixidó, 22  
E-08918 Badalona  
(Spain)

Tel.: (+34) 902 450 160  
Fax: (+34) 902 433 088  
[info@ermec.com](mailto:info@ermec.com)  
[www.ermec.com](http://www.ermec.com)

ERMEC, S.L. MADRID  
C/ Sagasta, 8, 1ª planta  
E-28004 Madrid  
(Spain)

PORTUGAL  
[portugal@ermec.com](mailto:portugal@ermec.com)  
BILBAO  
[bilbao@ermec.com](mailto:bilbao@ermec.com)