



- Activated by the touch of a finger
Even with surgeon gloves
- 50 million cycles
- Auto-calibration function
- Bushing diameter 16, 19 or 22 mm
- Momentary or latching

ENVIRONMENTAL SPECIFICATIONS

- Sealing : IP68 and IP69K according to IEC 60529
- Triggered by flowing water
- Impact resistance : IK10
- Operating temperature : -20°C to +65°C
- ESD : complies with EN61000-4-2 (extended) ± 8KV (20 contacts) and ± 15KV (20 air discharges)

MATERIALS

- Case : aluminium, anodized
- Multi-wire leads section 0,22 mm² length 300 mm
- Cable, length 300 mm, section depending on switch model
- Connector : HE146V compatible with AMP/TYCO281839-3

ELECTRICAL AND GENERAL SPECIFICATIONS

- Max. current/voltage rating : 200mA 24VDC
- Supply voltage : 5 to 24VDC
- Life expectancy : 50 million cycles
- Power consumption non-illuminated : 7mA
- Power consumption illuminated : 25mA
- Operating force : 0N

LED state for output image option

	Closed output	Open output
1 LED	LED "OFF"	LED "ON"
2 LEDs	LED colour 1 "ON"	LED colour 2 "ON"

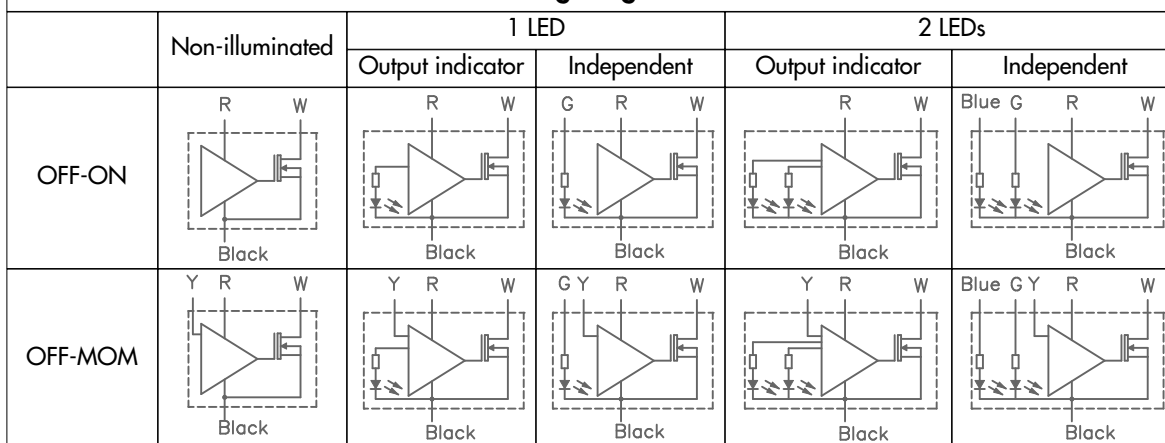
ADJUSTABLE SENSITIVITY

Connection to ground by means of the yellow wire increases sensitivity (momentary version only).



This switch should not be used in safety applications.

Wiring diagrams



Legend

R red +V
Black black GND
W white output
Y yellow sensitivity
G green +LED 1
Blue blue +LED 2

Wire colours may vary.
Always refer to the label on the switch.



ERMEC, S.L. BARCELONA
C/ Francesc Teixidó, 22
E-08918 Badalona
(Spain)

Tel.: (+34) 902 450 160
Fax: (+34) 902 433 088
info@ermec.com
www.ermec.com

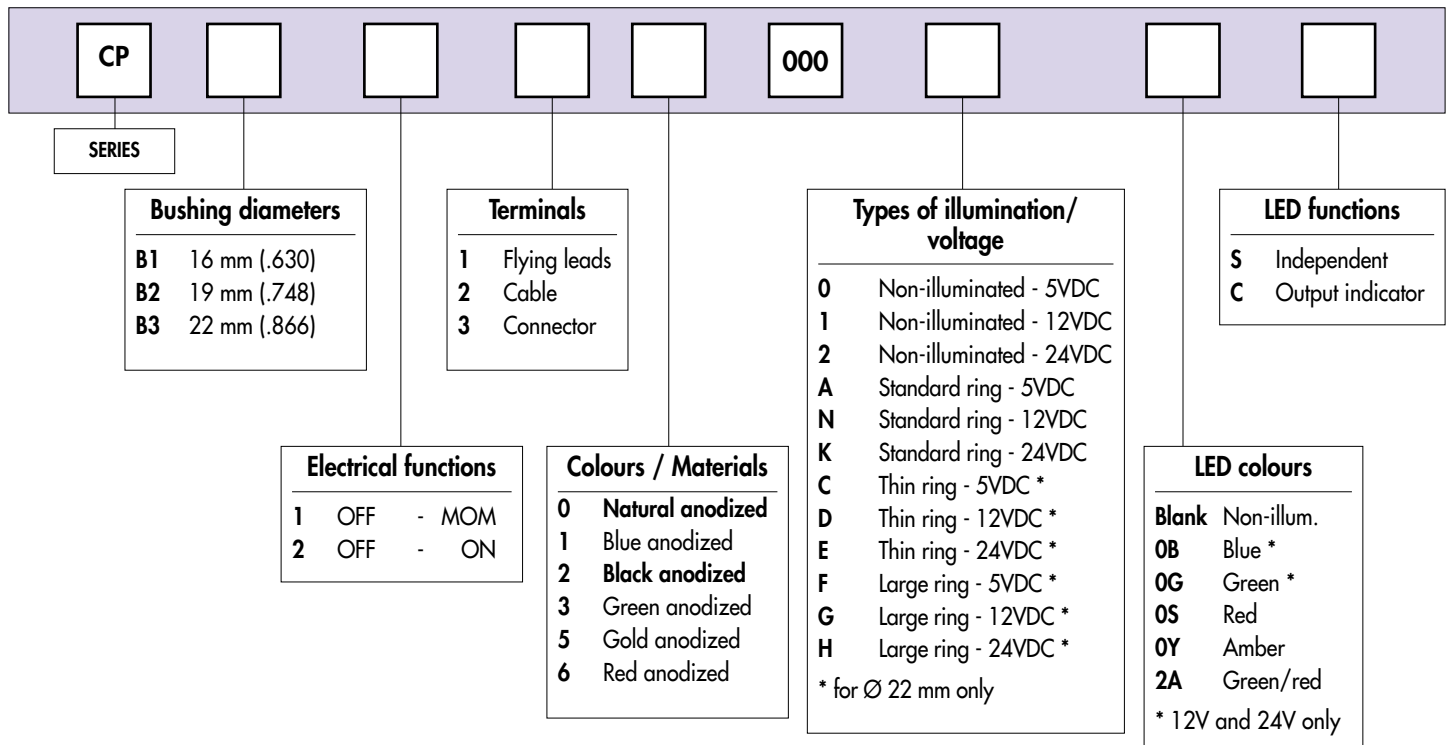
ERMEC, S.L. MADRID
C/ Sagasta, 8, 1ª planta
E-28004 Madrid
(Spain)

PORTUGAL
portugal@ermec.com
BILBAO
bilbao@ermec.com

CP series

Capacitive switches

Selection guide



On request

- Duration of activation 15 minutes for latching models (standard duration is infinite)
- Different lengths, gauges or colours for flying lead terminals
- Different cable lengths



NOTICE : please note that not all combinations of above numbers are available. Refer to the following pages for further information.



Packaging unit : 20 pieces

Dimensions : first dimensions are in mm while inches are shown as bracketed numbers.

Tolerance : The general tolerance for dimensions in this brochure is $\pm 0,3$ (.012).

Dimensions, specifications and data shown in this brochure are subject to change without notice.



ERMEC, S.L. BARCELONA
 C/ Francesc Teixidó, 22
 E-08918 Badalona
 (Spain)

Tel.: (+34) 902 450 160
 Fax: (+34) 902 433 088
info@ermec.com
www.ermec.com

ERMEC, S.L. MADRID
 C/ Sagasta, 8, 1ª planta
 E-28004 Madrid
 (Spain)

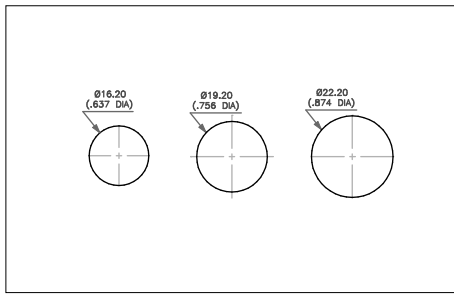
PORTUGAL
portugal@ermec.com
 BILBAO
bilbao@ermec.com

CP series

Capacitive switches

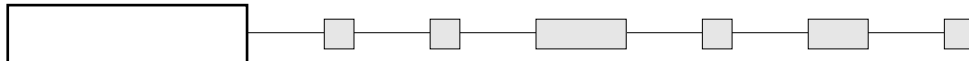
Illuminated or non-illuminated

www.ermec.com/apem



Shown with flying lead terminals

MODEL
STRUCTURE



Bushing Ø 16 mm (.630)

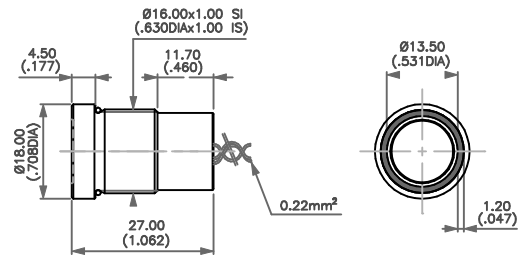


Momentary
CPB11

OFF - MOM

Latching
CPB12

OFF - ON



CPB1110000N2AC

Bushing Ø 19 mm (.748)

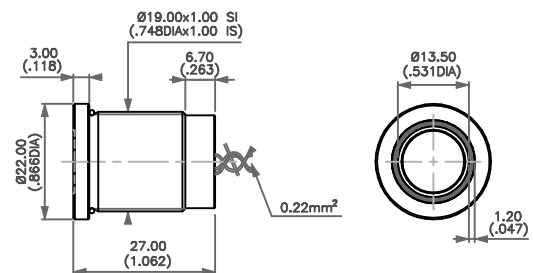


Momentary
CPB21

OFF - MOM

Latching
CPB22

OFF - ON



CPB2110000N2AC

Bushing Ø 22 mm (.866)

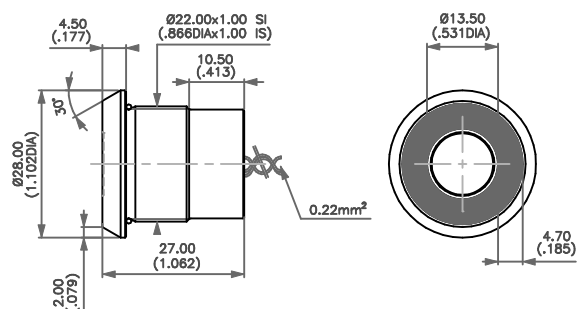


Momentary
CPB31

OFF - MOM

Latching
CPB32

OFF - ON

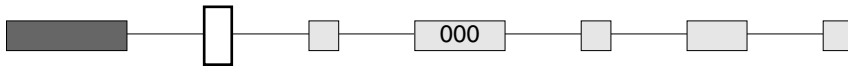


CPB3210000G2AC

Capacitive switches

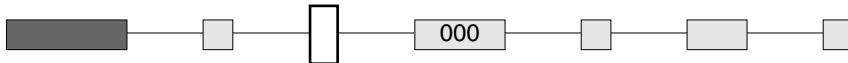
Options

TERMINALS



- 1 Flying leads
- 2 Cable
- 3 Connector

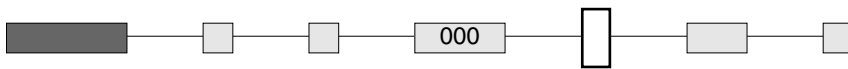
CASE COLOURS / MATERIALS



Code	Colour
0	Natural anodized aluminium
1	Blue anodized aluminium
2	Black anodised aluminium

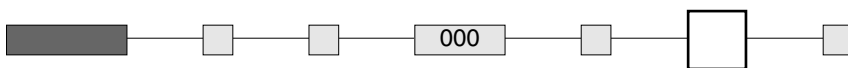
Code	Colour
3	Green anodized aluminium
5	Gold anodized aluminium
6	Red anodised aluminium

TYPES OF ILLUMINATION



	5VDC	12VDC	24VDC
Non-illuminated	0	1	2
Standard ring	A	N	K
Thin ring (Ø 22 only)	C	D	E
Large ring (Ø 22 only)	F	G	H

LED COLOURS

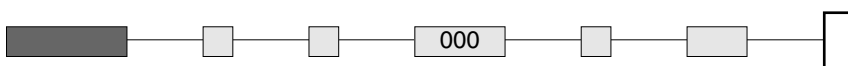


Blank Non-illuminated

0B : blue* - **0G** : green* - **0S** : red - **0Y** : amber - **2A** : green/red

* 12VDC and 24VDC only

LED FUNCTIONS



S Independent
C Output indicator