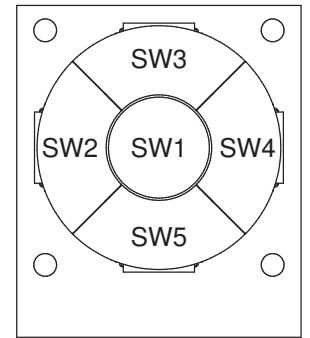
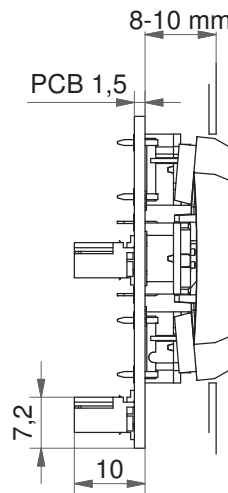
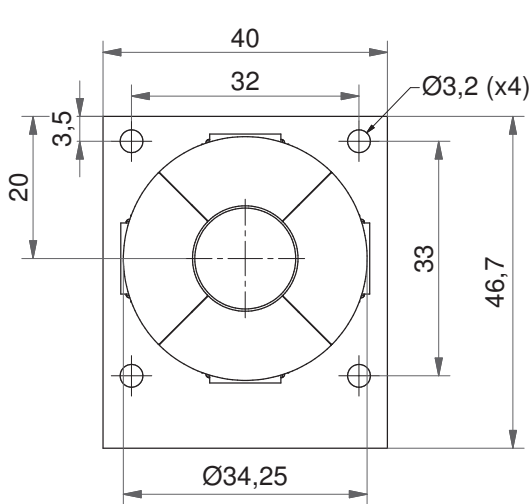




- Module should be attached to the front plate with bolts (bolts not supplied by MEC)
  - Round solution
  - Ø34.25 mm
  - h =11.7 mm; 12.2 mm
  - Material:
  - Temp. Range:
    - Solid cap: -40/+65°C
    - Transparent cap: -40/+85°C
  - Recommended panel cut-out: Ø35,0 - 35,5 Depending on application
- All dimensions in mm*

**DIMENSIONS**



When the 1ZB is activated the diameter changes from 34,25 mm to 35,0 mm

**HOW TO ORDER**

navimec<sup>™</sup> Module ordering options:

- navimec<sup>™</sup> Module excl. keycaps
- navimec<sup>™</sup> Module incl. keycaps
- navimec<sup>™</sup> Module incl. keycaps with legends
- Illuminated navimec<sup>™</sup> Module excl. keycaps
- Illuminated navimec<sup>™</sup> Module incl. keycaps with legends

Part no. for PCB and connector - 9810130

Part no. for switches and caps:

navimec<sup>™</sup> Module has many customisation options regarding actuation force, cap and LED colours and legends. Because of that ordering is based on part numbers of separate parts instead of one specific part number. MEC has the switches mounted on the module before delivery, which is included in the module price.

See previous page for information on switch and cap options as well as the examples below.

