



IP 67

RoHS

REACH

PFC-2828-2
Stainless Steel Float

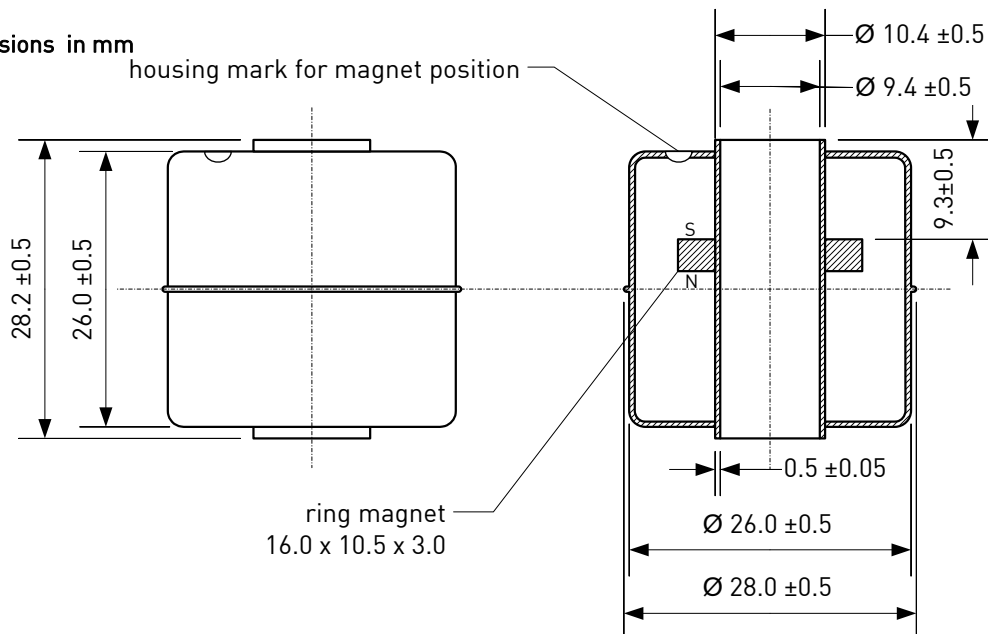
Data

Float housing	Stainless Steel S316L, mechanically polished
Magnet	Ferrite
Magnetical Orientation	axially

Remanence Br	mT	225
Coercivity HcB	kA/m	151
Coercitivity HcJ	kA/m	271
Energy density BHmax.	mT	0.105
Operating Temperature	°C	-10 to 180

Nominal values unless otherwise specified.

Dimensions in mm



Mechanical Characteristics

@ 25°C

Density of float typ. *	g/cm ³	0.7
Recommended minimum gravity of medium	g/cm ³	Density of float + 20%
Pressure max.	MPa	1.0

* In delivery condition

Ordering Information

Packing Unit	500 pcs
Weight per piece	8.0 g ± 0.5g