

PFM-PP-Q-001 Magnet Float

Description

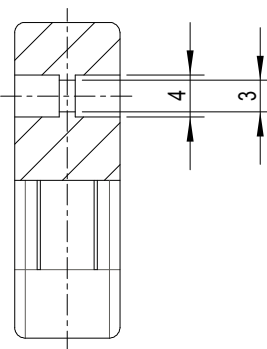
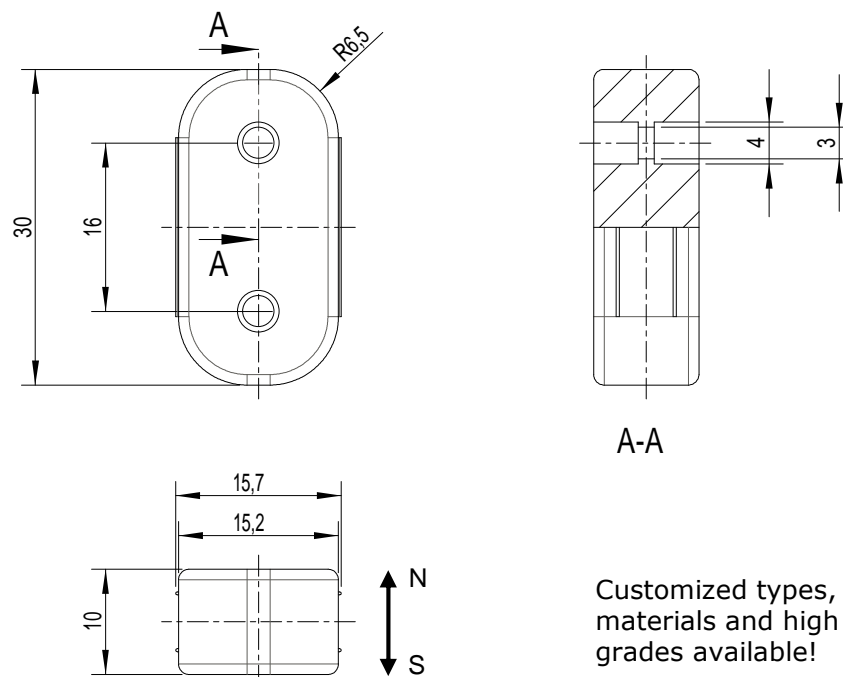
The float is used as a swimming activation element for Reed Switches and Sensors.

Data

Average Density	g/cm ³	0.88
Weight	g	3.5
Casting material	PP (for use in water and diluted acids)	
Remanence Br	mT	1185
Coercivity HcB	kA/m	828
Coercivity HcJ	kA/m	955
Energy Product (BH) max.	kJ/m ³	275
Magnetic Moment M	X10 ⁻⁵ Vs cm	1.6
Operating Temperature max.	°C	80

Nominal values unless otherwise specified.

Dimensions



A-A

Customized types, other magnet materials and high temperature grades available!