

single switch module

Plug & play solution •
based on Multimec® switches



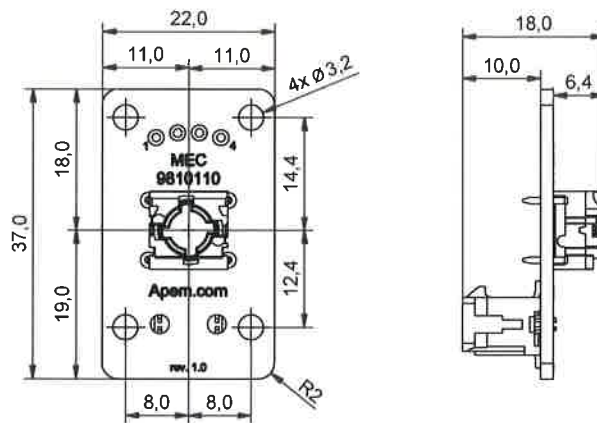
DISTINCTIVE FEATURES

- Flexible solution - suitable for large selection of caps
- Illumination option
- Designed to fit 1TS/1US/1VS caps with sealing
- 4 solder pads for direct cable soldering
- Molex connector for plug & play

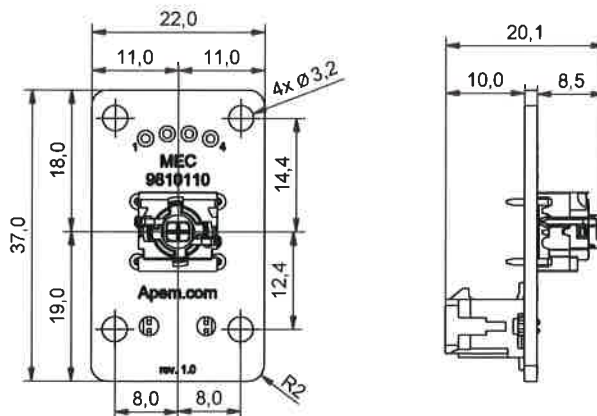


SWITCH SPECIFICATIONS : see Multimec® 5 series.

SINGLE SWITCH MODULE - NON-ILLUMINATED



SINGLE SWITCH MODULE - ILLUMINATED



single switch module

Plug & play solution •
based on Multimec® switches



MATERIALS

- PCB : Glass fiber



MOUNTING

- Recommended bolt size: M3
- Recommended cables: AWG 20



CONNECTOR INFORMATION

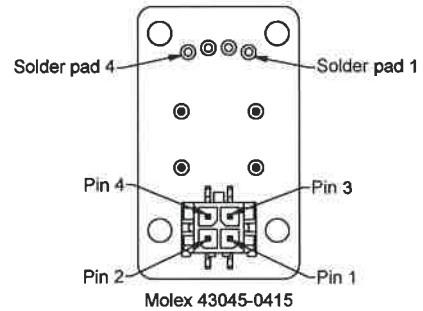
Connector on the module is
Molex 43045-0415

We recommend using:

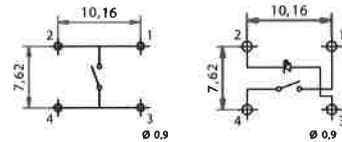
Cable socket: Molex 43025-0400



CIRCUIT DIAGRAMS



Connections		
Switch	Molex	Solder pad
1	1	1
2	2	2
3	3	3
4	4	4

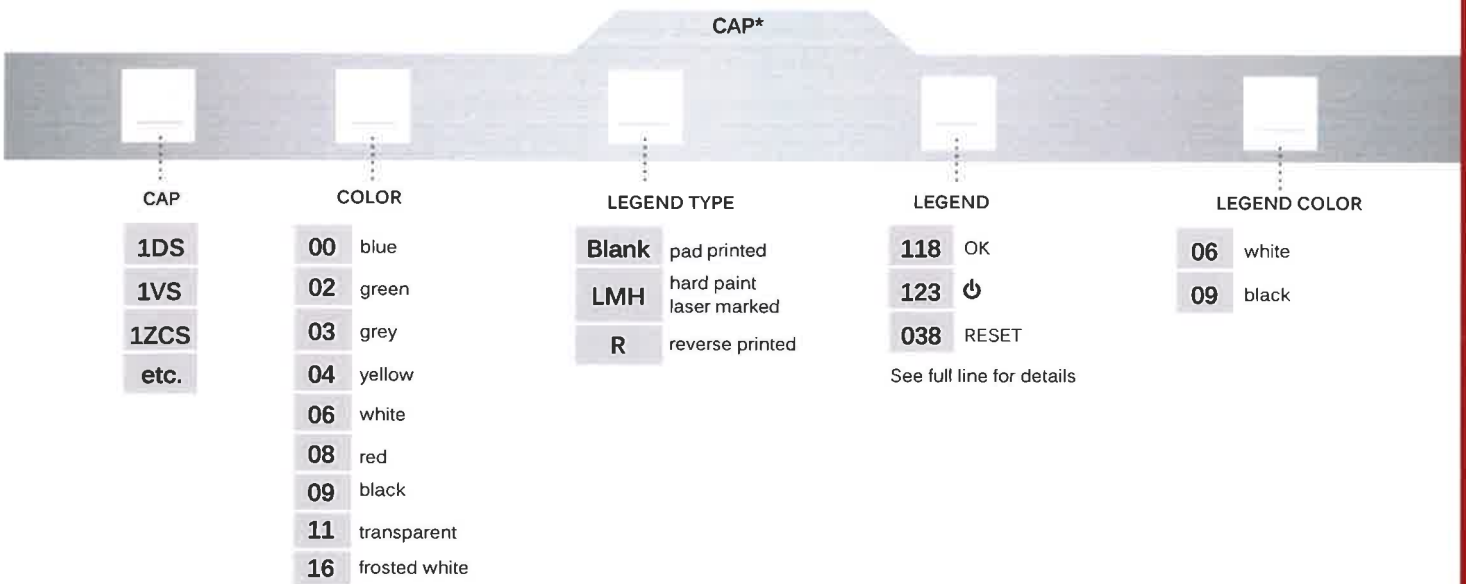
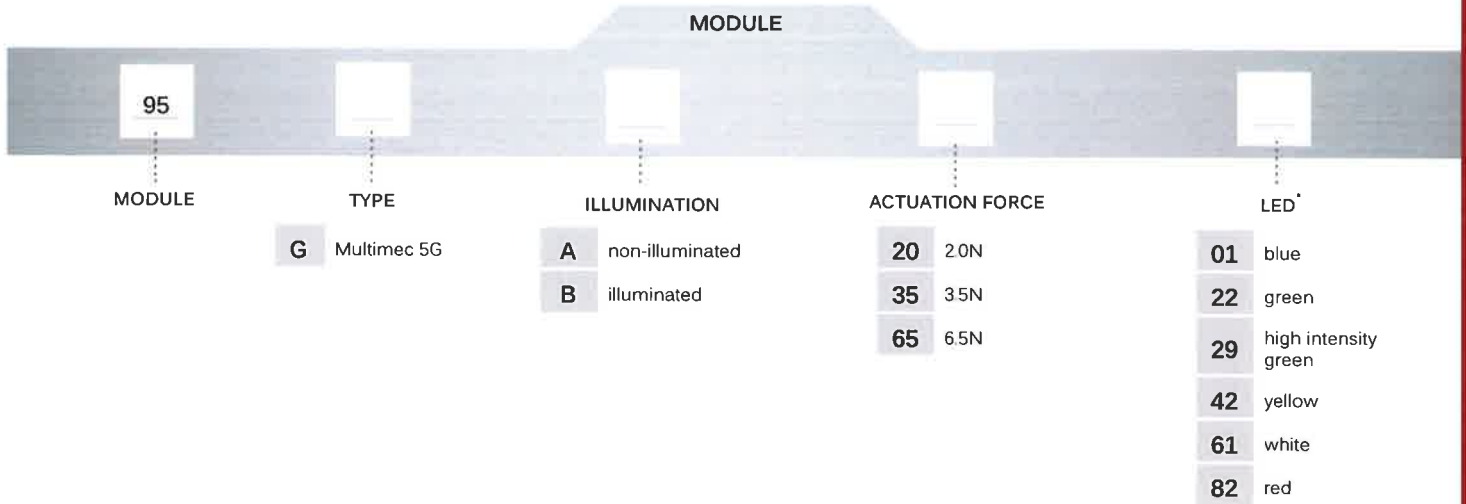


single switch module

Plug & play solution •
based on Multimec® switches



BUILD YOUR PART NUMBER



*optional

NOTICE : please note that all caps mounted on Multimec 5G can be used with the module. However, not all combinations of above numbers are available. Refer to www.apem.com for further information.