



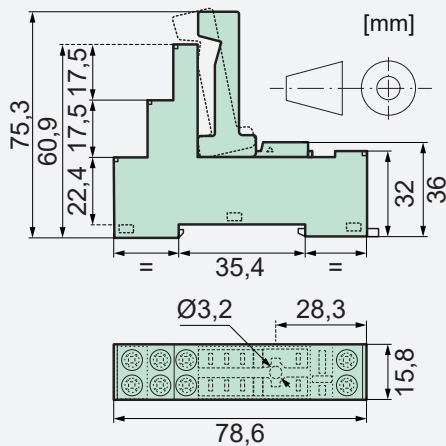
DIN rail socket SRD-GR2A KV2 (ZM825)

Socket Data

- With plastic retaining bracket and marking tag (1 pc)
- Plug-in socket with screw terminals
- Assembly on DIN rail 35 mm or single-hole mounting with M3 screw



Dimensions



Technical Data

Rated current	2 x 8A
Rated voltage	250 VAC
Test voltage coil/contacts	5000 Vrms
Please also observe the test voltage of the relay!	
Insulation class IEC 60664-1	250 VAC
Creepage resistance	CTI 250
Weight	approx. 46 g
Ambient temperature	-40°C to +70°C
Connection cross-sections	
for wire	1 x 6 mm ² or 2 x 2,5 mm ²
for wire end ferrules	1 x 6 mm ² or 2 x 2,5 mm ²
Maximum torque	0,5 Nm
Packing unit	20 pcs
Approvals	UL, cUL
UL File	E135170

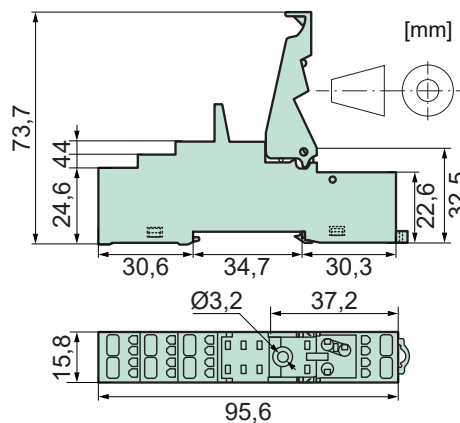
DIN rail socket SRD-GR2A KV2 PIK (ZMP825)

Socket Data

- With plastic retaining bracket and marking tag (1 pc)
- Socket with push in contacts (PIK)
- Assembly on DIN rail 35 mm or single-hole mounting with M3 screw



Dimensions



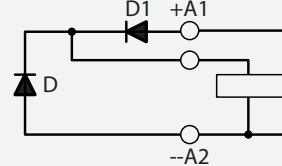
Technical Data

Rated current	2 x 8A
Rated voltage	250 VAC
Test voltage coil/contacts	5000 Vrms
Please also observe the test voltage of the relay!	
Insulation class IEC 60664-1	250 VAC
Creepage resistance	CTI 250
Weight	approx. 40 g
Ambient temperature	-40°C to +70°C
Cross sections for connection with	
wired	2x (0,2 ... 1,5) mm ²
with end sleeves for strands	2x (0,2 ... 1,5) mm ²
Maximum torque	0,5 Nm
Packing unit	20 pcs
Approvals	UL, cUL
UL File	E135170

Modules

Module SRD-GR2A M01

- For DIN rail socket SRD-GR2A KV2 and SRD-GR2A KV2 PIK
- With free-wheeling diode
- 6VDC to 220VDC



Module SRD-GR2A M03

- For DIN rail socket SRD-GR2A KV2 and SRD-GR2A KV2 PIK
- Free-wheeling diode with green LED
- 6VDC to 24VDC

