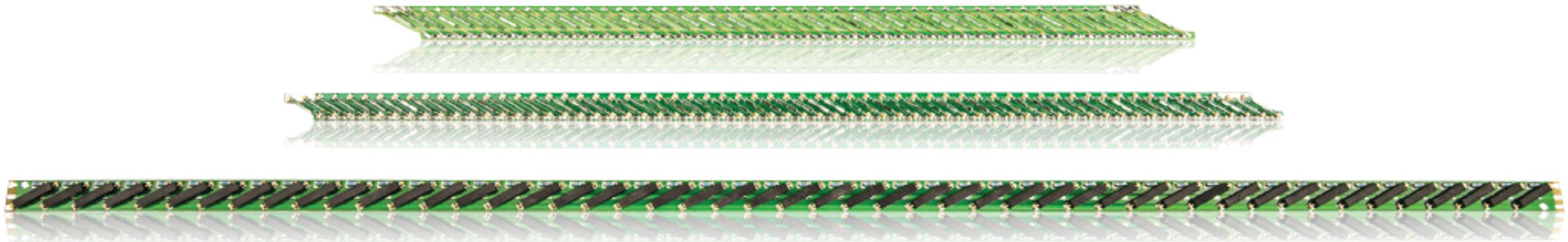


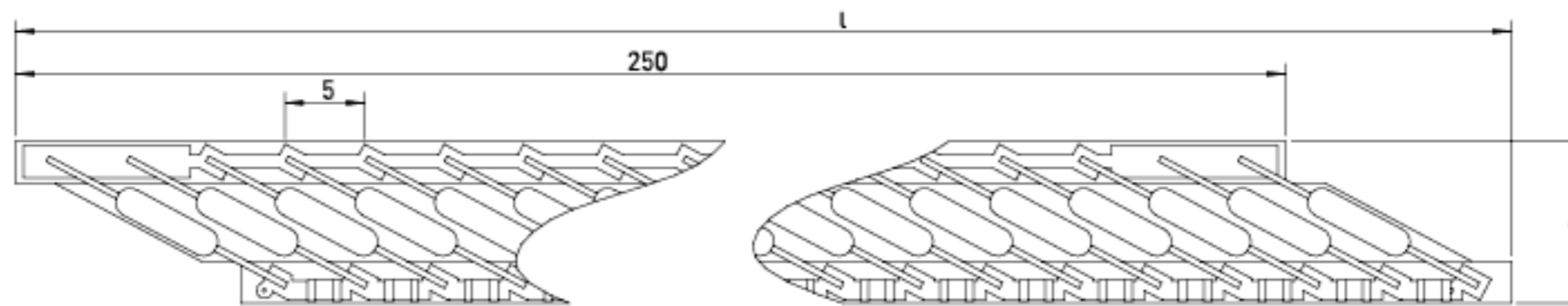
Reed Chains

Features

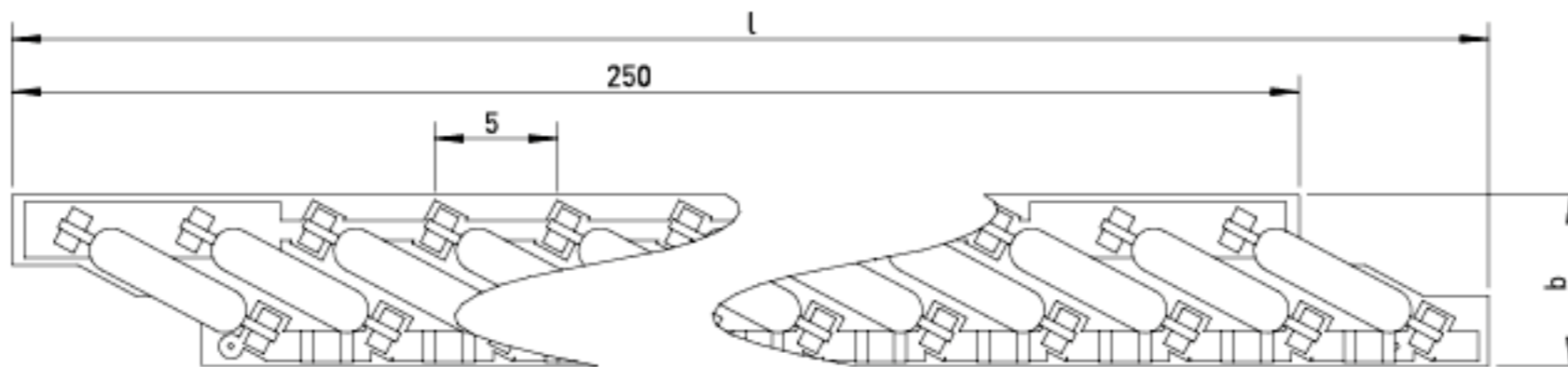
- Reliable signals
- Individual level sensing
- Build own solutions based on high quality switching elements



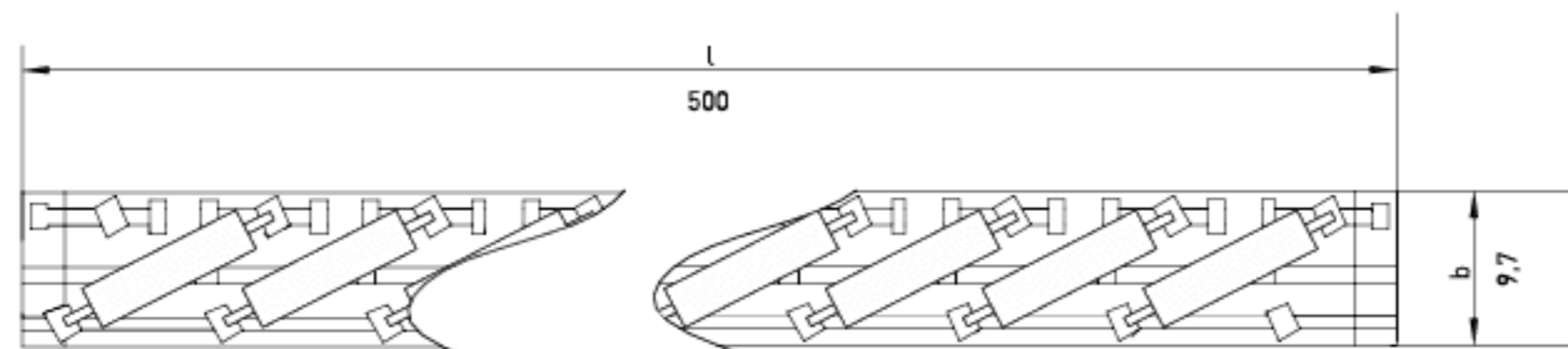
LP-XX01S25



LP-XX01TS25



LP-1001TH50



| | | LP-0701S | LP-1001S | LP-1401S | LP-0701TS | LP-1001TS | LP-1401TS | LP-1001TH |
|------------------------|------|----------|----------|----------|-----------|-----------|-----------|-----------|
| Contact rating max. | W | 10 | 10 | 10 | 10 | 10 | 10 | 10 |
| Switching current max. | | 0.5 | 0.7 | 1 | 0.5 | 0.7 | 1 | 0.7 |
| Switching voltage max. | VDC | 150 | 180 | 200 | 150 | 180 | 200 | 180 |
| | VAC | 120 | 130 | 140 | 120 | 130 | 140 | 130 |
| Width b | mm | 10.2 | 11.6 | 13.9 | 7 | 8.4 | 11.3 | 9.7 |
| Length l | mm | 264.2 | 266.8 | 271.2 | 257.8 | 260.4 | 265 | 500 |
| Resistance | kOhm | 1 | 1 | 1 | 1 | 1 | 1 | 0.5 |
| UL/CSA/RoHS | | --/--/• | --/--/• | --/--/• | --/--/• | --/--/• | --/--/• | --/--/• |

Individual variations with more/fewer switching points, different resistance values and matching Floats are available - please contact us!